



Electrical Data

Nominal resistance	1/5/10	kOhm
Resistance tolerance	±20	%
Independent linearity	±5	% of meas. range
Electrical angle	50/100/200/300	mm
Repeatability	max. 0.5 *	mm
Temperature coefficient of the voltage divider	50	ppm/°C
Recommended wiper current	max. 1	mA
Max. wiper current incase of malfunction	100	mA
Power rating P	max. 1	W/40°C
Min. life (electrical)	1 Mio.	movements

Mechanical Data

Mechanical range	360	° (continuous)
Min. life (mechanical)	1 Mio.	movements
Operating temperature	-45 ... +75	°C
Storage temperature	-65 ... +75	°C
Protection class	IP65	

Standards

Insulating resistance (500 VDC, 1bar, 2s)	10	MOhm
Dielectric strength (VAC, 50Hz, 1min, 1bar)	1	kV
Vibration (Amax = 0.75mm, f = 30 ... 2000 Hz)	10	g
Shock (half sine pulse, 7 ms)	50	g
Climatical test category	45/75/56	

* depending on the assembly situation

Foil sensor FSL

Applications

- Throttle actuator
- Door & gate drives

Features

- Small dimensions
- IP65

Options

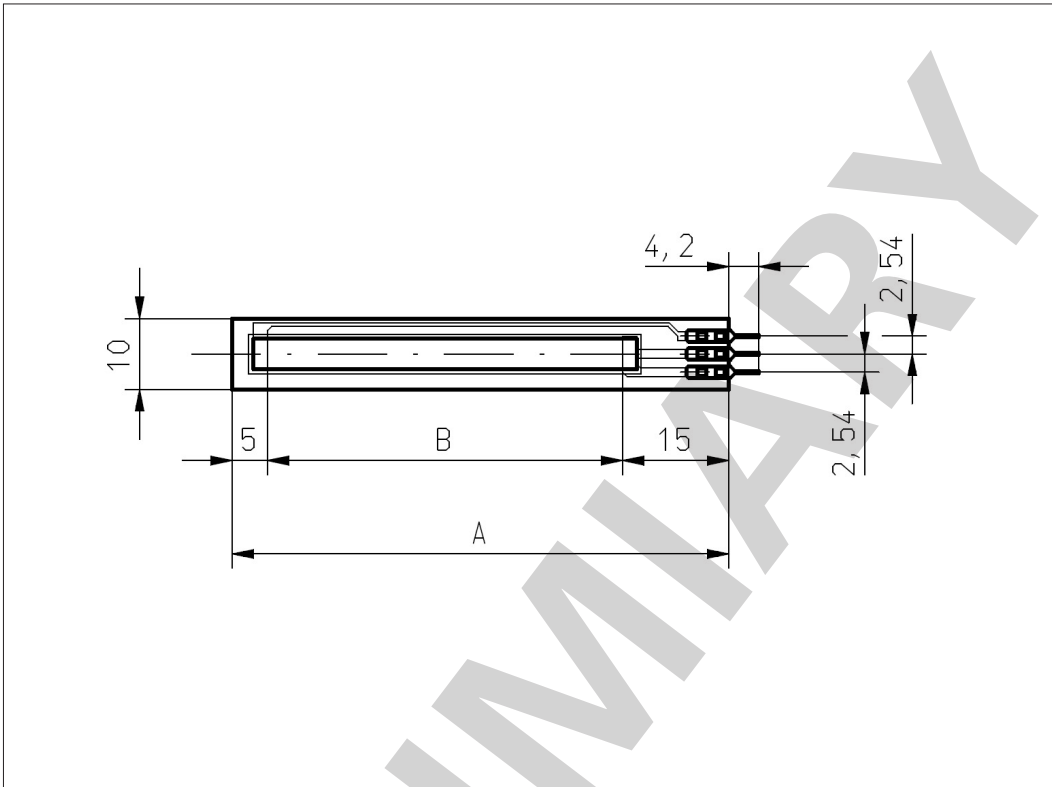
- Resistance tolerance ±10%
- Independent linearity ±2%
- Custom angles & switch functions available
- Linear elements
- Temperature range -45°C ... +125°C

Subject to change
without notice
State: 20-March 2007

Contelec AG
Portstrasse 38
CH-2503 Biel/Bienne
Phone +41 (0)32 3665600
Fax +41 (0)32 3665604
sales@contelec.ch



Foil sensor FSL



Type		A	B
FSL500	mm	70	50
FSL1000	mm	120	100
FSL2000	mm	220	200
FSL3000	mm	320	300

Subject to change
without notice
State: 20-March 2007

Contelec AG
Portstrasse 38
CH-2503 Biel/Bienne
Phone +41 (0)32 3665600
Fax +41 (0)32 3665604
sales@contelec.ch