



Foil sensor FSR

Applications

- Throttle actuator
- Door & gate drives

Features

- Small dimensions
- IP65

Options

- Resistance tolerance $\pm 10\%$
- Independent linearity $\pm 2\%$
- Custom angles & switch functions available
- Rotative elements
- Temperature range $-45^{\circ}\text{C} \dots +125^{\circ}\text{C}$

Electrical Data		
Nominal resistance	1/5/10	kOhm
Resistance tolerance	± 20	%
Independent linearity	± 5	% of meas. range
Electrical angle	340	$^{\circ}$
Repeatability	max. 1 *	$^{\circ}$
Temperature coefficient of the voltage divider	50	ppm/ $^{\circ}\text{C}$
Recommended wiper current	max. 1	mA
Max. wiper current incase of malfunction	100	mA
Power rating P	max. 1	W/40 $^{\circ}\text{C}$
Min. life (electrical)	1 Mio.	movements
Mechanical Data		
Mechanical range	360	$^{\circ}$ (continuous)
Min. life (mechanical)	1 Mio.	movements
Operating temperature	$-45 \dots +75$	$^{\circ}\text{C}$
Storage temperature	$-65 \dots +75$	$^{\circ}\text{C}$
Protection class	IP65	
Standards		
Insulating resistance (500 VDC, 1bar, 2s)	10	GOhm
Dielectric strength (VAC, 50Hz, 1min, 1bar)	1	kV
Vibration ($A_{\text{max}} = 0.75\text{mm}$, $f = 30 \dots 2000 \text{ Hz}$)	10	g
Shock (half sine pulse, 7 ms)	50	g
Climatical test category	45/75/56	

* depending on the assembly situation

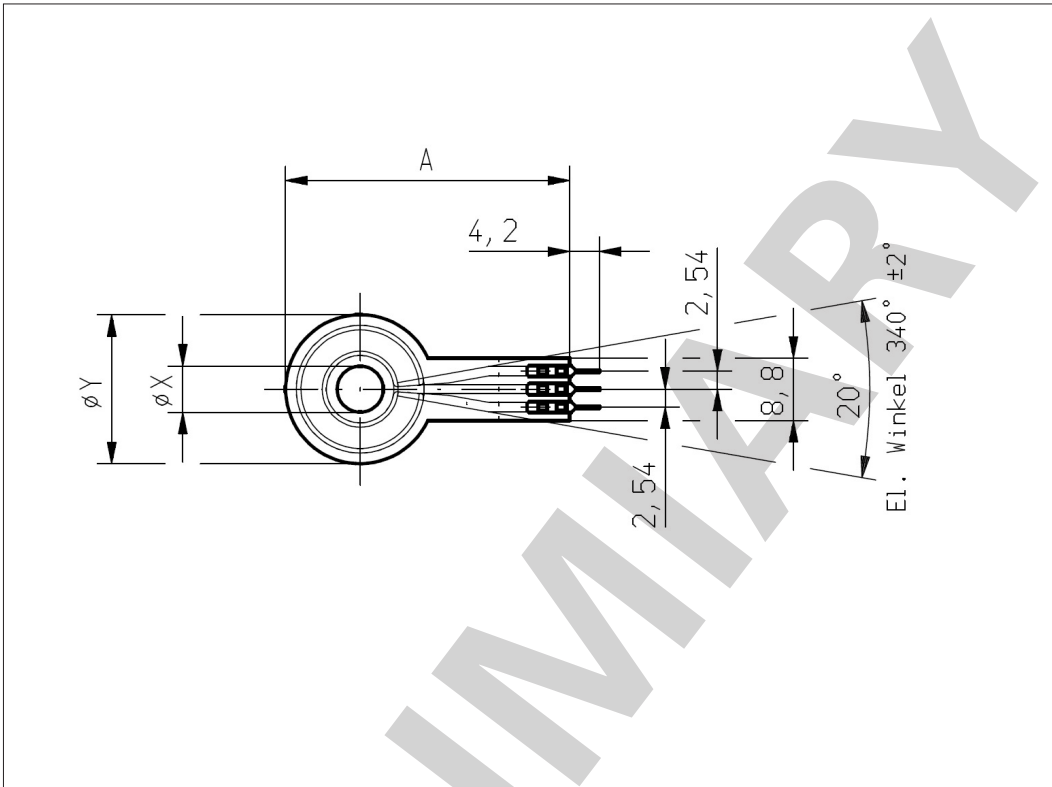
Subject to change
without notice
State: 20-March 2007

Contelec AG
Portstrasse 38
CH-2503 Biel/Bienne
Phone +41 (0)32 3665600
Telefax +41 (0)32 3665604
sales@contelec.ch

CONTELEC



Foil sensor FSR



Type		X	Y	A
FSR60	mm	6.5	21	40
FSR100	mm	10.5	25	40
FSR300	mm	30.5	45	60
FSR500	mm	50.5	60	80

Subject to change
without notice
State: 20-March 2007

Contelec AG
Portstrasse 38
CH-2503 Biel/Bienne
Phone +41 (0)32 3665600
Telefax +41 (0)32 3665604
sales@contelec.ch

CONTELEC