

GENERAL CHARACTERISTICS

Mechanical Flow Switch for liquids or gaseous media, with spring-supported piston and magnetic triggering of a reed switch. Rugged design in brass / bronze combination.

- * fixed switch value
- * high pressure duty
- * good repeatability
- * dirt-resistant
- * high switch capability

Female thread G1/4 to G1/2 bronze



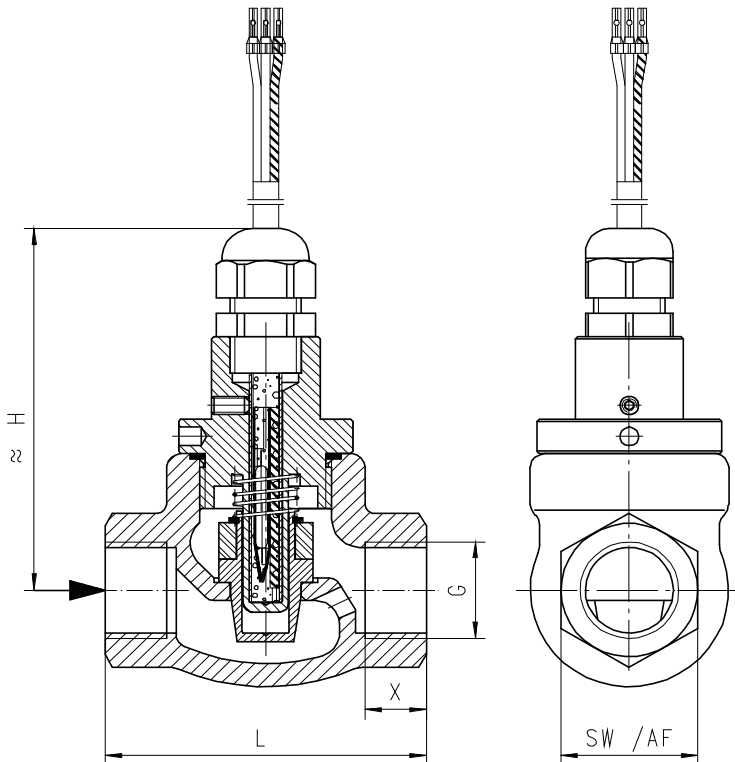
FF-025GR040S

TECHNICAL DATA

	G	Type	PN bar	Qmax. recom. l/min H ₂ O	switch value l/min H ₂ O selectable range for fixed switch	L mm	H mm	SW mm	X mm	weight kg
bronze	G 1/4	FF-008GR009.	200	10	0,4 - 9	68	79	29	12	0,6
	G 3/8	FF-010GR010.	200	15	0,4 - 10	68	79	29	12	0,6
	G 1/2	FF-015GR012.	200	20	0,4 - 12	68	79	29	13	0,6
	G 3/4	FF-020GR025.	25	40	0,6 - 25	73	79	32	11	0,7
	G 1	FF-025GR040.	25	60	1,5 - 40	87	90	41	14	1,0
	G 1 1/4	FF-032GR060.	16	100	2 - 60	98	94	52	14	1,5
G 1 1/2	FF-040GR090.	16	150	3 - 90	113	95	59	14	2,0	

Switch value is indicated for horizontally decreasing flow.

tolerance ±0.3 l/min
 media temperature max. 110°C
 average pressure loss 0.4 bar at Qmax.
 hysteresis depending on switch value
 minimum 0.4 l/min.



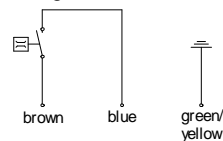
MATERIALS

housing bronze Rg5 nickel plated
 body brass Ms58 nickel plated
 piston stainless steel 1.4305
 spring stainless steel 1.4310
 magnet bariumferrite
 seals NBR

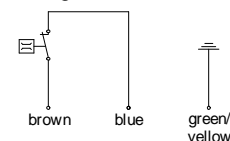
ELECTRICAL DATA

reed switch
230 V AC 1 A 50 VA
cable 1,5 m
protection class IP 65

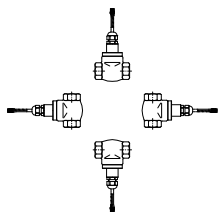
wiring 0.212 n.o.



wiring 0.214 n.c.

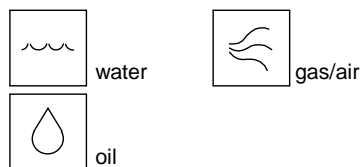


MOUNTING POSITION



Installation position may influence switch value.

METERING SUBSTANCES



NOMENCLATURE

For combinations see table "technical data"

FF-	008	G	R	009	S	basic type specification
	008				●	nominal diameter DN 8 - G1/4
	010				●	nominal diameter DN 10 - G3/8
	015				●	nominal diameter DN 15 - G1/2
	020				●	nominal diameter DN 20 - G3/4
	025				●	nominal diameter DN 25 - G1
	032				●	nominal diameter DN 32 - G1 1/4
	040				●	nominal diameter DN 40 - G1 1/2
		G			●	female thread
			R		●	bronze
				009	●	selectable range 0,4 - 9 l/min
				010	●	'selectable range 0,4 - 10 l/min
				012		'selectable range 0,4 - 12 l/min
				025		'selectable range 0,6 - 25 l/min
				040		'selectable range 1,5 - 40 l/min
				060		'selectable range 2 - 60 l/min
				090	●	'selectable range 3 - 90 l/min
					S ●	wiring 0.212 n.o.
					O ●	wiring 0.214 n.c.
Special option					□	switch values for oil or gas
VARIO						special switch points
						nomimal diameter DN 50 - 80

Installation position horizontal H₂O.
Please indicate switch point with your order.

IMPORTANT FOR YOUR ORDER

- Please indicate flow direction, metering substance and switch value with your order.
- With viscous liquids please indicate viscosity, temperature and quality of flow (switch value on request)
- With gaseous media indicate pressure (relative or absolute), temperatue and metering substance (switch value on request)

All technical changes reserved

●BASIC Standard ○BASIC Programme option □VARIO Special option ⊕ PLUS Accessories ✗not recommendable