

GENERAL CHARACTERISTICS

Mechanical Flow Switch for liquids or gaseous media, with spring-supported piston and magnetic triggering of a micro switch. Rugged design in brass / bronze combination.

- * fixed switch point
- * high pressure duty
- * good repeatability
- * dirt-resistance
- * high switch capability

Female thread G1/4 to G1/2 bronze



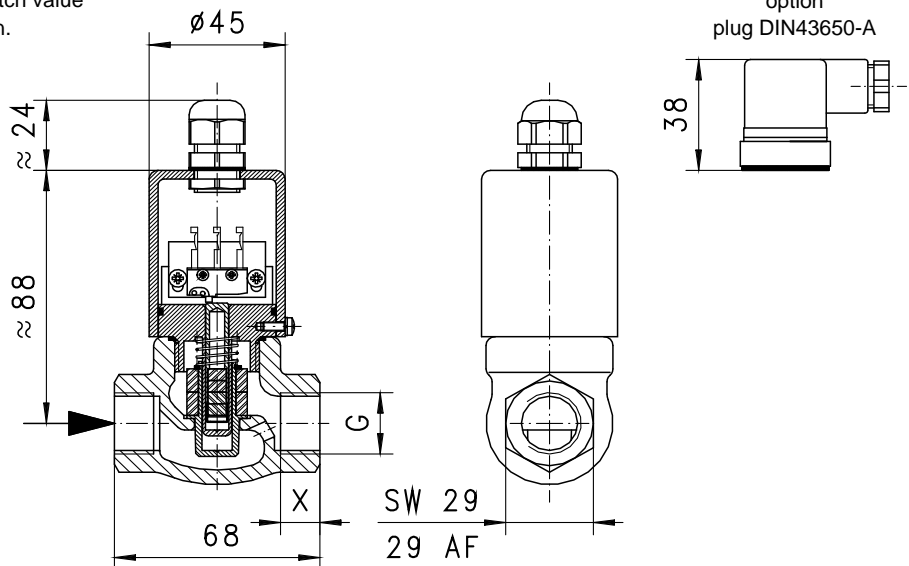
FM-010GR010

TECHNICAL DATA

	G	Type	PN bar	Qmax. recom. l/min H ₂ O	switch value l/min H ₂ O selectable range for fixed switch	X mm	weight kg
bronze	G 1/4	FM-008GR009	200	10	0.4 - 9	12	0.70
	G 3/8	FM-010GR010	200	15	0.4 - 10	12	0.65
	G 1/2	FM-015GR012	200	20	0.4 - 12	13	0.60

Switch value is indicated for horizontally decreasing flow.

tolerance	±0.3 l/min
media temperature	max. 90°C
average pressure loss	0.4 bar at Qmax.
hysteresis	depending on switch value minimum 0.5 l/min.

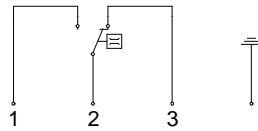


MATERIALS

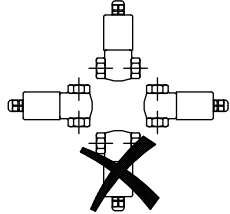
housing	bronze Rg5 nickel plated
body	brass Ms58 nickel plated
piston	brass Ms58
spring	stainless steel 1.4310
magnet	bariumferrite
seals	NBR
cap	PS

ELECTRICAL DATA

micro switch - wiring 0.213 change over
250 V AC 6 A
plug connection to micro switch 2,8x0,5
cable gland Pg9
protection class IP 65

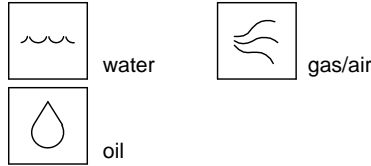


MOUNTING POSITION



Installation position may influence switch value.

METERING SUBSTANCES



NOMENCLATURE

For combinations see table "technical data"

FM-	008	G	R	009	basic type specification	
	008				●	nominal diameter DN 8 - G1/4
	010				●	nominal diameter DN 10 - G3/8
	015				●	nominal diameter DN 15 - G1/2
		G			●	female thread
			R		●	bronze
				009	●	selectable range 0.4 - 9 l/min
				010	●	selectable range 0.4 - 10 l/min
				012	●	selectable range 0.4 - 12 l/min
Programme option					○	cable
BASIC						plug DIN 43650-A
Special option					□	switch values with oil or gas
VARIO						special switch value
						nominal diameter DN 20 - 80

Installation position horizontal H2O.
Please indicate switch point with your order.

IMPORTANT FOR YOUR ORDER

- Please indicate flow direction, metering substance and switch value with your order.
- With viscous liquids please indicate viscosity, temperature and quality of flow (switch value on request)
- With gaseous media indicate pressure (relative or absolute), temperature and metering substance (switch value on request)

All technical changes reserved

●BASIC Standard ○BASIC Programme option □VARIO Special option ⊕ PLUS Accessories ✗not recommendable