

GENERAL CHARACTERISTICS

Mechanical Flow Switch for liquids or gaseous media with spring supported piston and magnetic actuation of a reed switch. Robust design, produced in materials brass or stainless steel.

- * good repeatability
- * dirt-resistance
- * high switch capability
- * hermetic separation of mechanical and electrical component
- * exact setting of switch via scale + gear



Female thread G1/4 - G1 brass/stainless steel



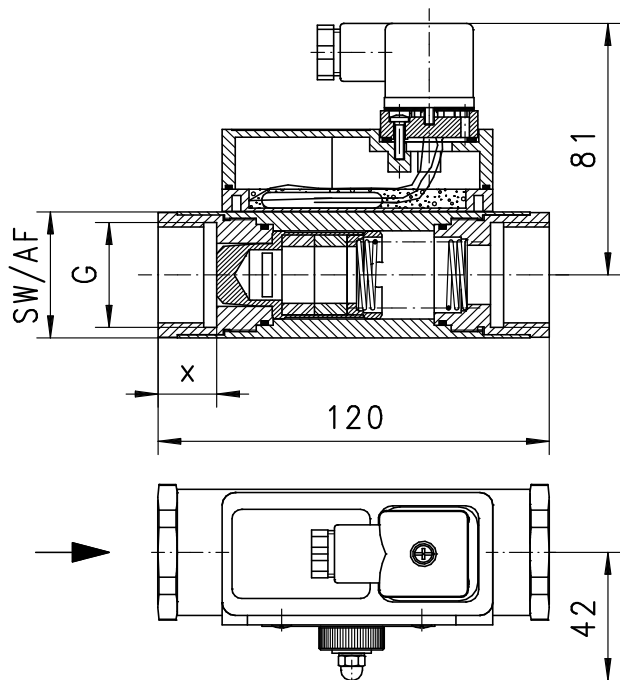
HD1K-020GM040

TECHNICAL DATA

	G	Type	PN bar	Qmax. recom. l/min H ₂ O	adjustable range l/min H ₂ O			AF mm	X mm	weight kg
brass	G 1/4	HD1K-008GM005	200	10	0.5 - 5			40	15	1.3
	G 3/8	HD1K-010GM...	200	20	0.5 - 5	1 - 10		40	15	1.3
	G 1/2	HD1K-015GM...	200	40	1 - 10	2 - 20	3 - 30	40	15	1.2
	G 3/4	HD1K-020GM...	200	60	3 - 30	4 - 40		40	18	1.2
	G 1	HD1K-025GM...	200	80	4 - 40	6 - 60		40	18	1.1
stainless steel	G 1/4	HD1K-008GK005	200	10	0.5 - 5			41	15	1.3
	G 3/8	HD1K-010GK...	200	20	0.5 - 5	1 - 10		41	15	1.3
	G 1/2	HD1K-015GK...	200	40	1 - 10	2 - 20	3 - 30	41	15	1.2
	G 3/4	HD1K-020GK...	200	60	3 - 30	4 - 40		41	18	1.2
	G 1	HD1K-025GK...	200	80	4 - 40	6 - 60		41	18	1.1

Adjustable range is indicated for horizontally decreasing flow.

tolerance	±5% of full scale
media temperature	max. 120°C
average pressure loss	0.5 bar at Qmax.
hysteresis	depending on switch value minimum 0.7 l/min.

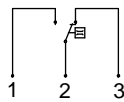


MATERIALS

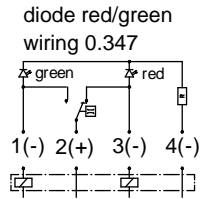
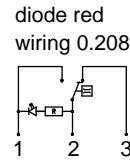
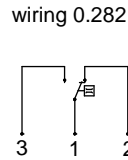
	HD1K-...GM	HD1K-...GK
body	brass Ms58 nickel plated	stainless steel 1.4571
piston	brass Ms58	stainless steel 1.4404
spring	stainless steel 1.4310	stainless steel 1.4310
magnet	bariumferrite	bariumferrite PTFE plated
seals	NBR	viton
switch head	polycarbonate	polycarbonate

ELECTRICAL DATA

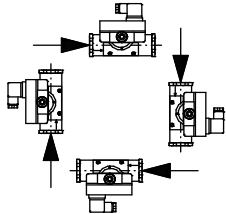
reed switch - wiring 0.213 change over
250 V AC 1.5 A 50 VA
plug DIN 43650-A
protection class 2
protection class IP 65



BASIC
Programme options



MOUNTING POSITION

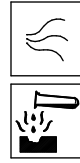


Installation position may influence switch value.

METERING SUBSTANCES



water



gas/air



oil



design stainless steel HD1K-...GK for aggressive liquids

NOMENCLATURE

For combination see table "technical data"

HD1K	-	008	G	M	005		basic type	
HD1K						●	specification	
H1						○	Flow Switch	
						○	Flow Indicator	
	-					●	without metering unit	
	O-					○	with lateral flow metering unit	
	Z-					○	with front flow metering unit	
		008				●	nominal diameter	
		010				●		DN 8 - G1/4
		015				●		DN 10 - G3/8
		020				●		DN 15 - G1/2
		025				●		DN 20 - G3/4
			G			●	DN 25 - G1	
				M		●	female thread	
				K		●	brass	
					005	●	stainless steel	
					010	●	adjustable range H ₂ O horizontal	
					020	●		0.5 - 5 l/min
					030	●		1 - 10 l/min
					040	●		2 - 20 l/min
					060	●		3 - 30 l/min
						●		4 - 40 l/min
						○	5 - 60 l/min	
						A ○	switch ATEX (produkt information 92.1.H1-1)	
						E ○	connection by local electronic (e.g. omni-HD1K)	
Programme option						○	wiring 0.342	
BASIC							wiring 0.208 - diode red integrated in plug DIN 43650-A	
							wiring 0.347 - diode red/green integrated in plug DIN 43650-A	
Special option						□	high pressure PN 400 bar / 500 bar incremented scale switch head metal flat switch head plastic selected hysteresis / vibration-proof rhodium contact contact for locking plug M 12x1, 4-pole two to four independent switch heads setting / adjustable ranges for oil or gas special setting approval Germanischer Lloyd type HR	
VARIO								

IMPORTANT FOR YOUR ORDER

- Please indicate flow direction, metering substance and adjustable range with your order.
- With viscous liquids please indicate viscosity, temperature and metering substance (adjustable range on request)
- With gaseous media indicate pressure (relative or absolute), temperature and metering substance (adjustable range on request)

All technical changes reserved

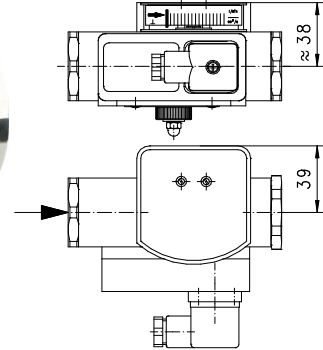
●BASIC Standard ○BASIC Programme option □VARIO Special option ⊕ PLUS Accessories ✗not recommendable

HD1KO- Flow Switch with lateral flow metering unit

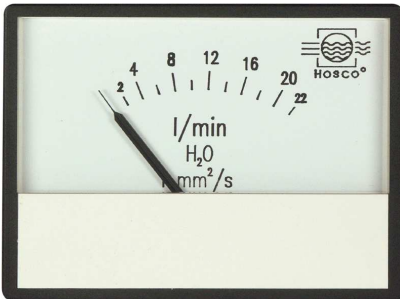


adjustable range l/min H ₂ O	metering range l/min H ₂ O
0,5 - 5	0,5 - 6
1 - 10	1 - 12
2 - 20	2 - 23
3 - 30	4 - 34
4 - 40	5 - 45
6 - 60	5 - 65

The metering range is indicated for horizontally increasing flow
protection class IP 60
additional weight 0.1kg

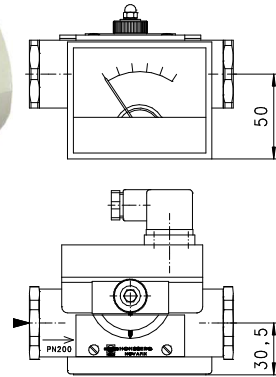


HD1KZ- Flow Switch with front flow metering unit

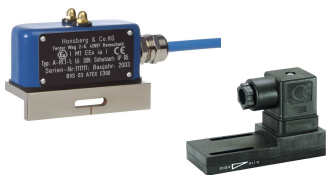


adjustable range l/min H ₂ O	metering range l/min H ₂ O
0,5 - 5	0,5 - 6
1 - 10	1 - 12
2 - 20	2 - 22
3 - 30	3 - 34
4 - 40	4 - 45
6 - 60	5 - 65

The metering range is indicated for horizontally increasing flow
media temperature max. 70°C
protection class IP 40
additional weight 0.1kg



EXAMPLES FOR FURTHER OPTIONS



switch head metal or flat switch head plastic, switch head ATEX



media temperaturer 150°C combinably with all Honsberg-electronics sensors or electronics heads



Flex-K-HD1K switch- or frequency output 0..10V or 4..20mA PNP, NPN



omni-HD1K 2xNPN and PNP switch point 4(0)..20mA ouput graphical LCD display with flashing LED, program ring

All technical changes reserved

IBASIC Standard ○BASIC Programme option □VARIO Special option ⊕ PLUS Accessories

✗ not recommendable