

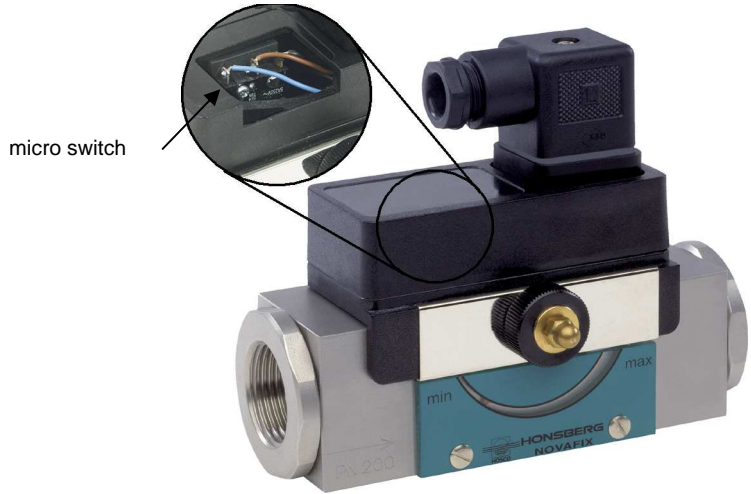
**GENERAL CHARACTERISTICS**

Mechanical Flow Switch for liquids or gaseous media with spring supported piston and magnetic actuation of a micro switch. Robust design, produced in materials brass or stainless steel.

- \* good repeatability
- \* dirt-resistance
- \* high switch capability
- \* hermetic separation of mechanical and electrical component
- \* exact setting of switch via scale + gear



Female thread G1/4 - G1 brass/stainless steel



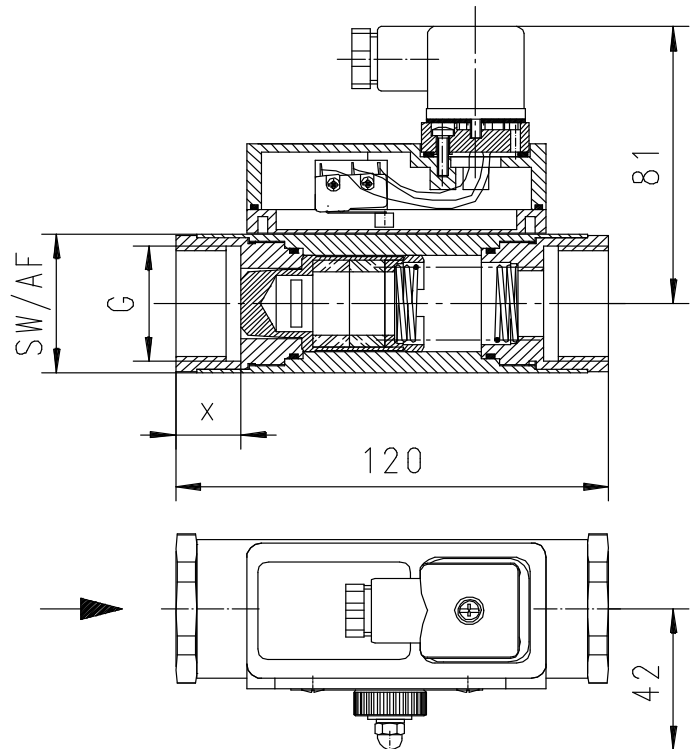
**HM1K-020GM036**

**TECHNICAL DATA**

	G	Type	PN bar	Qmax. recom. l/min H <sub>2</sub> O	adjustable range l/min H <sub>2</sub> O			AF mm	X mm	weight kg
brass	G 1/4	HM1K-008GM004	200	10	0.5 - 4			40	15	1.3
	G 3/8	HM1K-010GM...	200	20	0.5 - 4	1 - 8		40	15	1.3
	G 1/2	HM1K-015GM...	200	40	1 - 8	2 - 16	3 - 26	40	15	1.2
	G 3/4	HM1K-020GM...	200	60	3 - 26	4 - 36		40	18	1.2
	G 1	HM1K-025GM...	200	80	4 - 36	6 - 55		40	18	1.1
stainless steel	G 1/4	HM1K-008GK004	200	10	0.5 - 4			41	15	1.3
	G 3/8	HM1K-010GK...	200	20	0.5 - 4	1 - 8		41	15	1.3
	G 1/2	HM1K-015GK...	200	40	1 - 8	2 - 16	3 - 26	41	15	1.2
	G 3/4	HM1K-020GK...	200	60	3 - 26	4 - 36		41	18	1.2
	G 1	HM1K-025GK...	200	80	4 - 36	6 - 55		41	18	1.1

Adjustable range is indicated for horizontally decreasing flow.

tolerance	±5% of full scale
media temperature	max. 70°C
average pressure loss	0.5 bar at Qmax.
hysteresis	depending on switch value minimum 1 l/min.

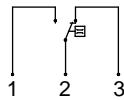


**MATERIALS**

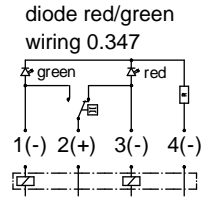
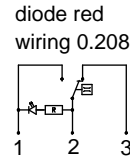
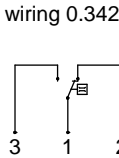
	<b>HM1K-...GM</b>	<b>HM1K-...GK</b>
body	brass Ms58 nickel plated	stainless steel 1.4571
piston	brass Ms58	stainless steel 1.4404
spring	stainless steel 1.4310	stainless steel 1.4310
magnet	bariumferrite	bariumferrite
seals	NBR	viton
switch head	polycarbonate	polycarbonate

**ELECTRICAL DATA**

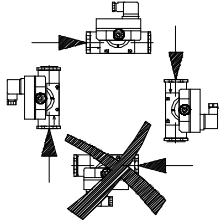
micro switch - wiring 0.371 change over  
250 V AC 5 A  
plug DIN 43650-A  
protection class IP 65



**BASIC**  
Programme-  
options



**MOUNTING POSITION**



Installation position may influence switch value.

**METERING SUBSTANCES**



water



gas/air



oil



design stainless steel HM1K-...GK for aggressive liquids

**NOMENCLATURE**

For combination see table "technical data"

HM1K-	008	G	M	005		basic type	
HM1K-					●	Flow Switch	
HM1KO-					○	Flow Switch with lateral flow metering unit	
HM1KZ-					○	Flow Switch with front flow metering unit	
	008				●	nominal diameter	
	010				●		DN 8 - G1/4
	015				●		DN 10 - G3/8
	020				●		DN 15 - G1/2
	025				●		DN 20 - G3/4
					●		DN 25 - G1
		G			●	female thread	
			M		●	brass	
			K		●	stainless steel	
				004	●	adjustable range H <sub>2</sub> O horizontal	
				008	●		0.5 - 4 l/min
				016	●		1 - 8 l/min
				026	●		2 - 16 l/min
				036	●		3 - 26 l/min
				055	●		4 - 36 l/min
Programme option					○	wiring 0.342	
BASIC						wiring 0.208 - diode red integrated in plug DIN 43650-A	
Special option					□	wiring 0.347 - diode red/green integrated in plug DIN 43650-A	
VARIO						incremented scale	
						switch head metal	
						contact for locking plug M 12x1, 4-pole	
						setting / adjustable ranges for oil or gas	
						special setting	

**IMPORTANT FOR YOUR ORDER**

- Please indicate flow direction, metering substance and adjustable range with your order.
- With viscous liquids please indicate viscosity, temperature and metering substance (adjustable range on request)
- With gaseous media indicate pressure (relative or absolute), temperature and metering substance (adjustable range on request)

All technical changes reserved

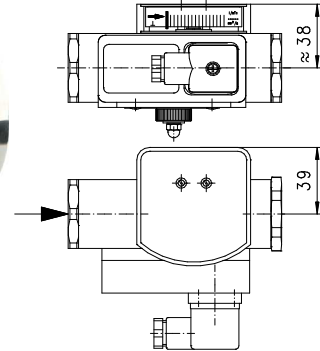
●BASIC Standard ○BASIC Programme option □VARIO Special option ⊕ PLUS Accessories ✗not recommendable

○ **HM1KO-** Flow Switch with lateral flow metering unit

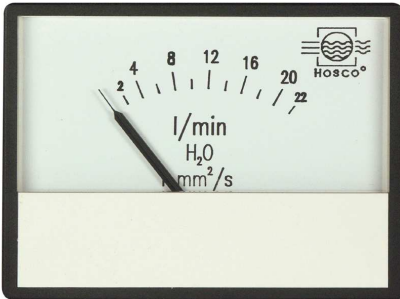


adjustable range l/min H <sub>2</sub> O	metering range l/min H <sub>2</sub> O
0.5 - 4	0,5 - 6
1 - 8	1 - 12
2 - 16	2 - 23
3 - 26	4 - 34
4 - 36	5 - 45
6 - 55	5 - 65

The metering range is indicated for horizontally increasing flow  
protection class IP 60  
additional weight 0.1kg

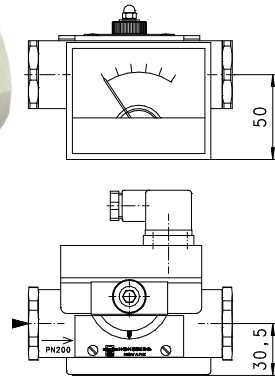


○ **HM1KZ-** Flow Switch with front flow metering unit



adjustable range l/min H <sub>2</sub> O	metering range l/min H <sub>2</sub> O
0.5 - 4	0,5 - 6
1 - 8	1 - 12
2 - 16	2 - 22
3 - 26	3 - 34
4 - 36	4 - 45
6 - 55	5 - 65

The metering range is indicated for horizontally increasing flow  
media temperature max. 70°C  
protection class IP 40  
additional weight 0.1kg



**EXAMPLES FOR FURTHER OPTIONS**



**switch head metal**



**media temperaturer 150°C**  
combinably with all  
Honsberg-electronics sensors  
or electronics heads



**Flex-K-HD1K**  
switch- or frequency output  
0..10V or 4..20mA  
PNP, NPN



**omni-HD1K**  
2xNPN and PNP switch point  
4(0)..20mA ouput  
graphical LCD display  
with flashing LED, program ring

All technical changes reserved

IBASIC Standard ○BASIC Programme option □VARIO Special option ⊕ PLUS Accessories

✗ not recommendable