

GENERAL CHARACTERISTICS

Mechanical Flow Switch for water, with magnetic triggering of a reed switch. Rugged design in brass.

- * control of small flow rates
- * adjustable switch value

Female thread M10x1 brass



MF-007GM

TECHNICAL DATA

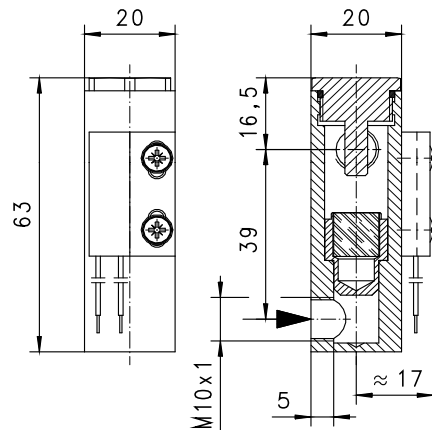
	M	Type	PN bar	Qmax. recommended l/min H ₂ O	switch value l/min H ₂ O selectable range for fixed switch	weight kg
brass	M10x1	MF-007GM	6	2	0.05 - 1.0	0.18

The switch value is valid for flow to up and decreasing flow.

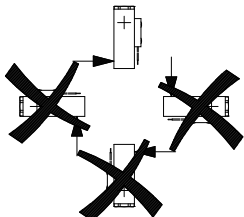
tolerance	±15% of full scale
media temperature	max. 80°C
average pressure loss	0.15 bar at Qmax.
hysteresis	depending on the switch value minimum 0.4 l/min.

MATERIALS

body	brass Ms58
piston	brass Ms58
spring	bariumferrite
seal	NBR

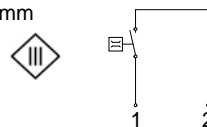


MOUNTING POSITION

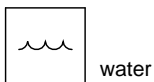


ELECTRICAL DATA

reed switch - wiring 0.212 n.o.
 120 V AC 0.5 A 10 VA
 connection 2 leads 300mm
 protection class 3
 protection class IP 65



METERING SUBSTANCES



NOMENCLATURE

MF-	007	G	M	basic type
		G		specification
			M	● female thread M10x1
				● brass

IMPORTANT FOR YOUR ORDER

- Please indicate switch value with your order.

All technical changes reserved

●BASIC Standard ○BASIC Programme option □VARIO Special option ⊕ PLUS Accessories ✗not recommendable