

**GENERAL CHARACTERISTICS**

Mechanical Flow Switch for liquids or gaseous media, with contactless triggering of an adjustable inductive sensor, produced in materials brass or stainless steel.

- \* fixed switch value
- \* for liquid substances with ferrite contamination
- \* good repeatability

Female thread G1/4 to G1 brass/stainless steel



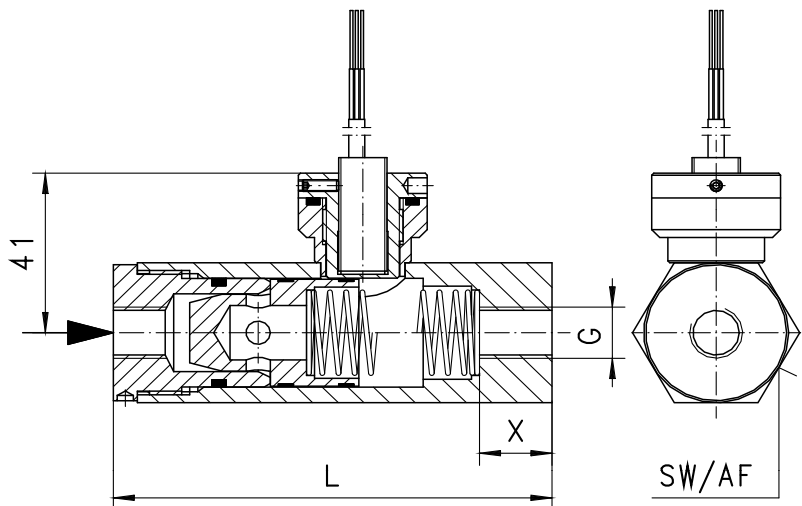
**MI-010GM010P**

**TECHNICAL DATA**

	G	Type	PN bar	Qmax. recom. l/min H <sub>2</sub> O	switch value l/min H <sub>2</sub> O selectable range for fixed switch	L mm	AF mm	X mm	weight kg
brass	G 1/4	MI-008GM004.	16	6	0.4 - 4	109	36	13	0.90
	G 3/8	MI-010GM010.	16	15	1 - 10	109	36	13	0.85
	G 1/2	MI-015GM012.	16	20	2 - 12	109	36	12	0.80
	G 3/4	MI-020GM020.	16	40	4 - 20	109	36	13	0.80
	G 1	MI-025GM060.	16	80	20 - 60	135	40	15	1.50
stainless steel	G 1/4	MI-008GK004.	16	6	0.4 - 4	109	36	13	0.90
	G 3/8	MI-010GK010.	16	15	1 - 10	109	36	13	0.85
	G 1/2	MI-015GK012.	16	20	2 - 12	109	36	12	0.80
	G 3/4	MI-020GK020.	16	40	4 - 20	109	36	13	0.80
	G 1	MI-025GK060.	16	80	20 - 60	135	41	15	1.50

Switch value is indicated for horizontally decreasing flow.

tolerance	±5%
media temperature	minimum 0.2 l/min. max. 60°C
average pressure loss	0.5 bar at Qmax.
hysteresis	depending on switch value minimum 0.5 l/min.

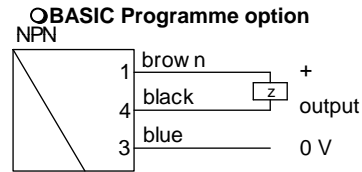
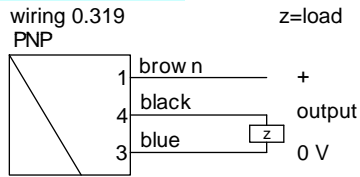


**MATERIALS**

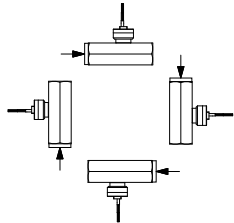
	<b>MI-...GM</b>	<b>MI-...GK</b>
housing	brass Ms58 nickel plated	stainless steel 1.4305
piston	brass Ms58	stainless steel 1.4305
spring	stainless steel 1.4310	stainless steel 1.4310
contact casing	PVDF	PVDF
seal	NBR	viton

**ELECTRICAL DATA**

inductive proximity switch  
voltage 10..30 V DC  
max. load <10 mA  
max. running current 100 mA  
voltage drop <3V  
cabel 2 metre, protection class IP 67

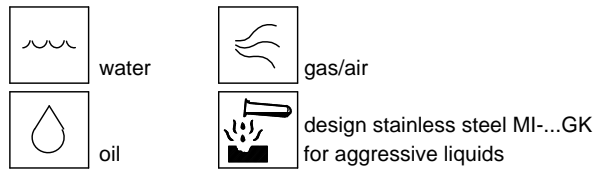


**MOUNTING POSITION**



Installation position may influence switch value.

**METERING SUBSTANCES**



**NOMENCLATURE**

For combination see table "technical data"

MI-	008	G	M	004	P	basic type specification	
	008				●	nominal diameter	DN 8 - G1/4
	010				●		DN 10 - G3/8
	015				●		DN 15 - G1/2
	020				●		DN 20 - G3/4
	025				●		DN 25 - G1
		G			●		female thread
			M		●		housing brass
			K		●		housing stainless steel
				004	●	switch value selectable range	0.4 - 4 l/min H <sub>2</sub> O
				010	●		1 - 10 l/min H <sub>2</sub> O
				012	●		2 - 12 l/min H <sub>2</sub> O
				020	●		4 - 20 l/min H <sub>2</sub> O
				060	●		20 - 60 l/min H <sub>2</sub> O
					P	●	PNP - output
					N	○	NPN - output
Special option						□	setting / adjustable ranges for oil or gas contact for locking plug M 12x1, 4-pole
VARIO							

Installation position horizontal H<sub>2</sub>O.  
Please indicate switch value with your order.

**IMPORTANT FOR YOUR ORDER**

- Please indicate flow direction, metering substance and switch value with your order.
- With viscous liquids please indicate viscosity, temperature and quality of flow (switch value on request)
- With gaseous media indicate pressure (relative or absolute), temperature and metering substance (switch value on request)

All technical changes reserved

●BASIC Standard ○BASIC Programme option □VARIO Special option ⊕ PLUS Accessories ✗not recommendable