

**GENERAL CHARACTERISTICS**

Mechanical Flow Switch for liquids or gaseous media with spring supported piston and magnetic actuation of a reed switch. Robust design, produced in materials brass or stainless steel.

- \* compact dimension
- \* good repeatability
- \* dirt-resistance
- \* high switch capability
- \* hermetic separation of mechanical and electrical component

Female thread G1/4 to G1 brass/stainless steel



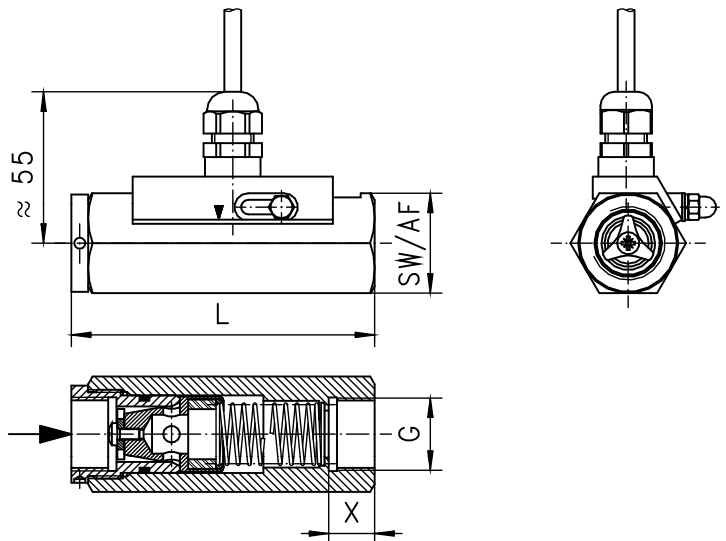
**MR-020GM020**

**TECHNICAL DATA**

	G	Type	PN bar	Qmax. rec. l/min H <sub>2</sub> O	adjustable range l/min H <sub>2</sub> O			L mm	H mm	AF mm	X mm	weight kg
brass	G 1/4	MR-008GM...	200	15	0.4 - 4	1 - 10		109	56	36	12	0.85
	G 3/8	MR-010GM...	200	20	0.4 - 4	1 - 10	5 - 20	109	56	36	12	0.85
	G 1/2	MR-015GM...	200	40	0.4 - 4	1 - 10	5 - 20	109	56	36	12	0.80
	G 3/4	MR-020GM...	200	60	1 - 10	5 - 20	10 - 40	109	56	36	12	0.80
	G 1	MR-025GM...	200	80	5 - 20	10 - 40	20 - 60	135	56	40	18	1.50
stainless steel	G 1/4	MR-008GK...	200	15	0.4 - 4	1 - 10		109	56	36	12	0.85
	G 3/8	MR-010GK...	200	20	0.4 - 4	1 - 10	5 - 20	109	56	36	12	0.85
	G 1/2	MR-015GK...	200	40	0.4 - 4	1 - 10	5 - 20	109	56	36	12	0.80
	G 3/4	MR-020GK...	200	60	1 - 10	5 - 20	10 - 40	109	56	36	12	0.80
	G 1	MR-025GK...	200	80	5 - 20	10 - 40	20 - 60	135	56	41	18	1.50

Adjustable range is indicated for horizontally decreasing flow.

tolerance	±5% of full scale
media temperature	max. 120°C
average pressure loss	0.5 bar at Qmax.
hysteresis	depending on switch value minimum 0.5 l/min.

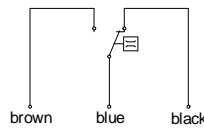


**MATERIALS**

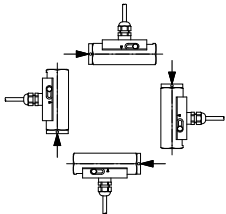
	MR-...GM	MR-...GK
body	brass Ms58 nickel plated	stainless steel 1.4305
piston	brass Ms58	stainless steel 1.4571
spring	stainless steel 1.4305; 1.4301	stainless steel 1.4305; 1.4301
magnet	stainless steel 1.4310	stainless steel 1.4310
seal	bariumferrite	bariumferrite
switch head	NBR	PTFE plated
	PA	viton
	PA	PA

**ELECTRICAL DATA**

reed switch - wiring 0.213 change over  
250 V AC 1.5 A 50 VA  
cable 2.5 m  
protection class 2  
protection class IP 65



**MOUNTING POSITION**



Installation position may influence switch value.

**METERING SUBSTANCES**



water



oil



gas/air



design stainless steel MR-...GK for aggressive liquids

**NOMENCLATURE**

For combination see table "technical data"

MR-	008	G	M	004	basic type specification
MR-					● Flow Switch
MRO-					□ Flow Switch with lateral flow metering unit ( DN 8-20 - PN90 )
	008				● nominal diameter DN 8 - G1/4
	010				● DN 10 - G3/8
	015				● DN 15 - G1/2
	020				● DN 20 - G3/4
	025				● DN 25 - G1
		G			● female thread
			M		● brass
			K		● stainless steel
				004	● adjustable range H <sub>2</sub> O horizontal 0.4 - 4 l/min
				010	● 1 - 10 l/min
				020	● 5 - 20 l/min
				040	● 10 - 40 l/min
				060	● 20 - 60 l/min
Special option VARIO					□ setting / adjustable ranges for oil or gas special ranges selected hysteresis / vibration-proof rhodium contact high pressure PN 400 bar plug DIN 43650-A connection for locking plug M12x1 , 4-pole

**IMPORTANT FOR YOUR ORDER**

- Please indicate flow direction, metering substance and adjustable range with your order.
- With viscous liquids please indicate viscosity, temperature and metering substance (adjustable range on request)
- With gaseous media indicate pressure (relative or absolute), temperature and metering substance (adjustable range on request)

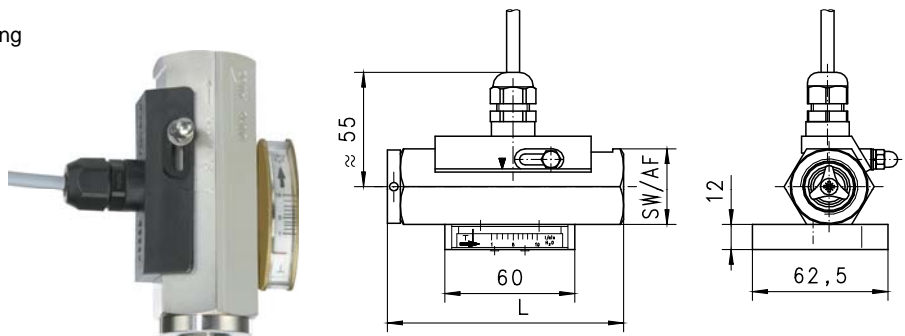
**OPTION**

□ MRO- Flow Switch with lateral flow metering

adjustable range	metering range
l/min H <sub>2</sub> O	l/min H <sub>2</sub> O
0.4 - 4	0.5 - 5
1 - 10	1 - 12
5 - 20	5 - 25
10 - 40	5 - 40
20 - 60	20 - 60

The metering range is indicated for horizontally increasing flow

DN 8-20 PN 90 bar protection class IP 60  
DN 25 PN 200 bar additional weight 0.1kg



All technical changes reserved

●BASIC Standard ○BASIC Programme option □VARIO Special option ⊕ PLUS Accessories ✗not recommendable