

**GENERAL CHARACTERISTICS**

The flow switches type MXR are employed for the monitoring of liquids in temperature ranges of 160°C. The instruments operate according to the proven piston system. In a no flow situation the piston rests in the valve seat and will be dislocated relevant to the flow rate. This movement is linear magnetically to an externally arranged switch unit. Due to the distance between flow and switch area the sensitive electrical components are seeing only 70°C max. with liquid temperature of 160°C max.

\* media temperature 160°C

female thread G1/4 to G3 bronze



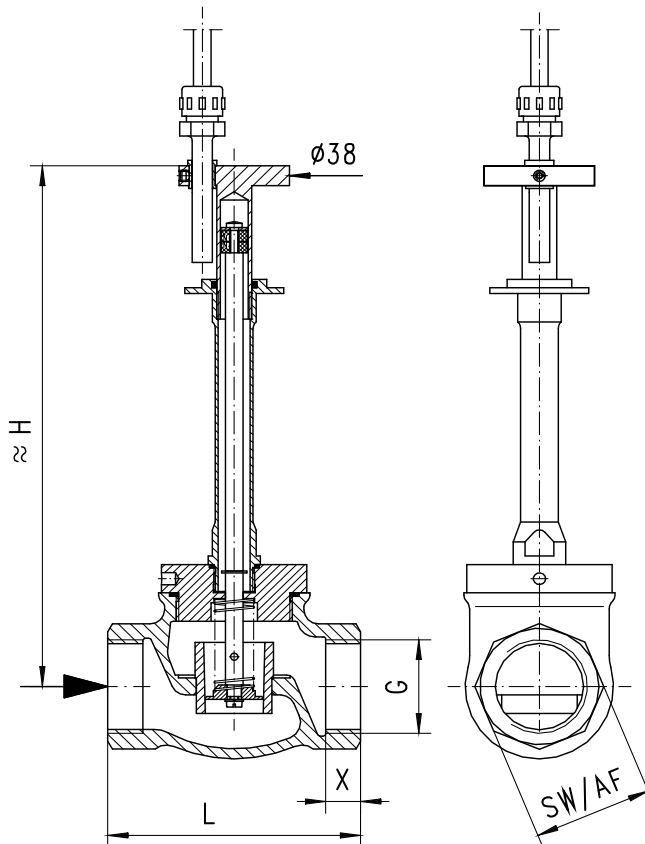
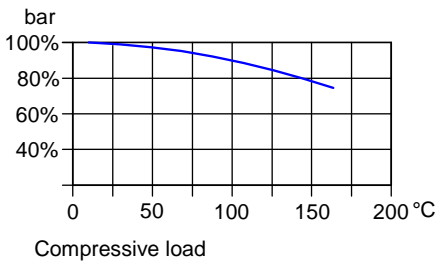
**MXR-025GR100**

**TECHNICAL DATA**

	G	Type	PN bar	Qmax. recom. l/min H <sub>2</sub> O	adjustable range l/min H <sub>2</sub> O	H mm	L mm	SW mm	X mm	weight kg
bronze	G 1/4	MXR-008GR...	100	6	1.5 - 6	194	68	29	12	1.1
	G 3/8	MXR-010GR...	100	10	2.5 - 10	194	68	29	12	1.1
	G 1/2	MXR-015GR...	100	20	5 - 20	194	68	29	13	1.1
	G 3/4	MXR-020GR...	25	40	10 - 40	194	73	32	11	1.2
	G 1	MXR-025GR...	25	60	20 - 100	198	87	41	12	1.4

Adjustable range is indicated for horizontally decreasing flow.

tolerance ±10% of full scale  
media temperature max. 160°C  
average pressure loss 0.7 bar at Qmax.

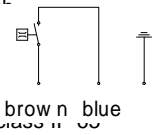


**MATERIALS**

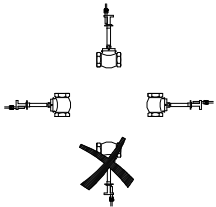
housing bronze Rg5/Rg6 nickel plated  
piston stainless steel 1.4305  
spring stainless steel 1.4310  
piston guide stainless steel 1.4305  
seal Kalrez / Viton

**ELECTRICAL DATA**

reed switch  
wiring 0.2  
250 V AC  
cable 1.5  
protection class II

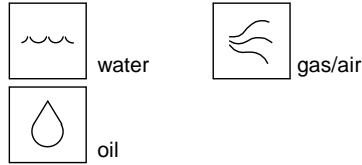


**MOUNTING POSITION**



Installation position may influence switch value.

**METERING SUBSTANCES**



**NOMENCLATURE**

For combination see table "technical data"

<b>MXR-</b>	<b>008</b>	<b>G</b>	<b>R</b>	<b>006</b>	<b>basic type</b>
<b>MXR-</b>					<b>specification</b>
	008				flow switch
	010				DN 8 - G1/4
	015				DN 10 - G3/8
	020				DN 15 - G1/2
	025				DN 20 - G3/4
		G			DN 25 - G1
			R		female thread
				006	housing Rg5/Rg6
				010	1.5 - 6 l/min
				020	2.5 - 10 l/min
				040	5 - 20 l/min
				100	10 - 40 l/min
					20 - 100 l/min
Programme option					horizontal
BASIC					adjustable range
Special option					H <sub>2</sub> O
VARIO					horizontal
					housing stainless steel
					special cable length

**IMPORTANT FOR YOUR ORDER**

- Please indicate flow direction, metering substance and adjustable range with your order.
- With viscous liquids please indicate viscosity, temperature and metering substance (adjustable range on request)
- With gaseous media indicate pressure (relative or absolute), temperature and metering substance (adjustable range on request)

**SPECIAL APPLICATIONS**



**MXO**  
indicate 20-100%  
option switch head



**MXM**  
micro switch 230V 6A  
indicate 20-100%

All technical changes reserved

●BASIC Standard ○BASIC Programme option □VARIO Special option ⊕ PLUS Accessories ✗not recommendable