

GENERAL CHARACTERISTICS

Mechanical Flow Switch for liquids or gaseous media, with contactless triggering of an adjustable reed switch. Rugged design in full PVC.

Glue socket DN 15- 50 PVC

- * good repeatability
- * dirt-resistant
- * exact setting of switch via scale



PD-020MH020

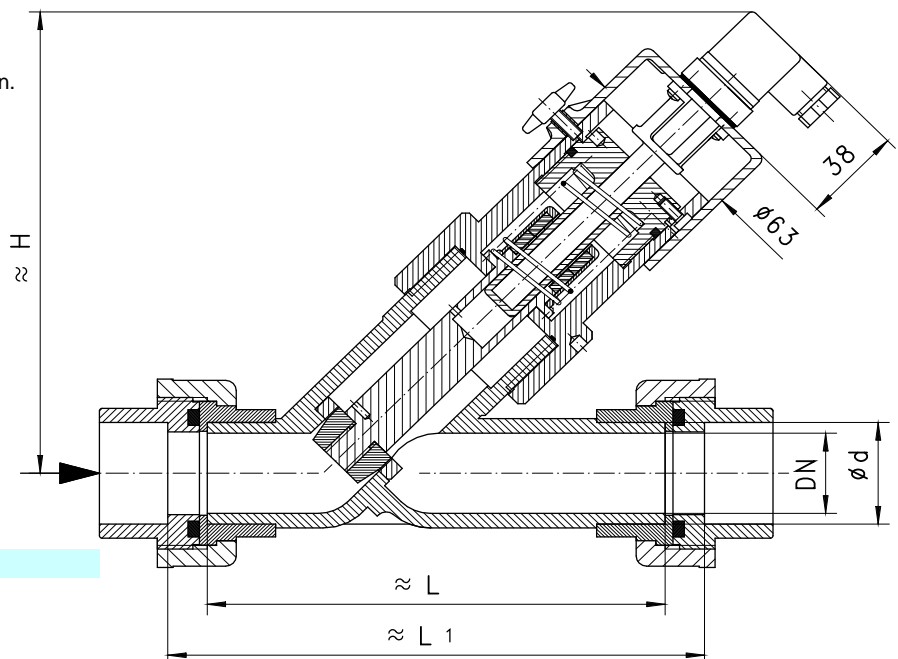
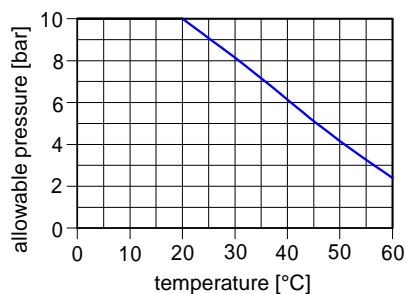
TECHNICAL DATA

	DN	Type	PN bar (20°C)	Qmax. recom. l/min H ₂ O		adjustable range l/min H ₂ O		d mm	H mm	L mm	L ₁ mm	weight kg
PVC	15	PD-015MH...	10	20	30	2 - 8	4 - 20	20	170	124	150	0.8
	20	PD-020MH...	10	40	60	4 - 20	10 - 40	25	174	144	170	1.0
	25	PD-025MH...	10	60	90	10 - 40	20 - 60	32	186	154	180	1.2
	32	PD-032MH...	10	100	130	20 - 60	30 - 100	40	196	174	204	1.5
	40	PD-040MH...	10	150	180	30 - 100	50 - 150	50	194	194	228	1.8
	50	PD-050MH...	10		250	50 - 150	100 - 200	63	194	224	266	2.4

Adjustable range is indicated for horizontally decreasing flow.

tolerance ±5% of full scale
 media temperature max. 60°C
 average pressure loss 0.5 bars at Qmax.
 hysteresis depending on switch value minimum 1 l/min.

Compressive load

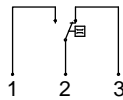


MATERIALS

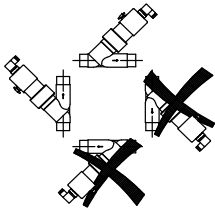
housing PVC
 sleeve PVC
 piston PVC
 spring stainless steel 1.4310 Delta Tone/Sial coated
 body PVC
 seal viton
 cap ABS

ELECTRICAL DATA

reed switch - wiring 0.213 change over
 250 V AC 1.5 A 50 VA
 plug DIN 43650-A
 protection class 2
 protection class IP 44



MOUNTING POSITION



Installation position may influence switch value.

METERING SUBSTANCES



water



gas/air



oil

NOMENCLATURE

For combination see table "technical data"

PD-	015	T	H	008	basic type specification	
	015				●	nominal diameter DN 15
	020				●	nominal diameter DN 20
	025				●	nominal diameter DN 25
	032				●	nominal diameter DN 32
	040				●	nominal diameter DN 40
	050				●	nominal diameter DN 50
		M			○	glue socket
			H		●	PVC design
				008	●	adjustable range H ₂ O horizontal 2 - 8 l/min
				020	●	adjustable range H ₂ O horizontal 4 - 20 l/min
				040	●	adjustable range H ₂ O horizontal 10 - 40 l/min
				060	●	adjustable range H ₂ O horizontal 20 - 60 l/min
				100	●	adjustable range H ₂ O horizontal 30 - 100 l/min
				150	●	adjustable range H ₂ O horizontal 50 - 150 l/min
				200	●	adjustable range H ₂ O horizontal 100 - 200 l/min
Programme option					○	signal lamp
BASIC						protection class IP 65
Special option					□	setting / adjustable ranges for oil or gas
VARIO						selected hysteresis
						rhodium contact

IMPORTANT FOR YOUR ORDER

- Please indicate flow direction, metering substance and adjustable range with your order.
- With viscous liquids please indicate viscosity, temperature and metering substance (adjustable range on request)
- With gaseous media indicate pressure (relative or absolute), temperature and metering substance (adjustable range on request)

All technical changes reserved

●BASIC Standard ○BASIC Programme option □VARIO Special option ⊕ PLUS Accessories ✗not recommendable