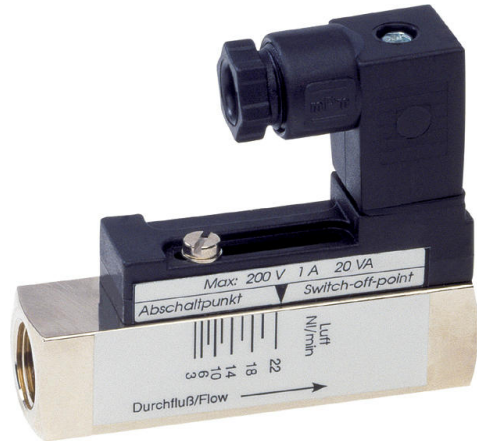


**GENERAL CHARACTERISTICS**

Mechanical Flow Switch for liquids or gaseous media, with magnetic triggering of an adjustable reed switch. Rugged design in brass or stainless steel.

- \* control of small flow rates
- \* PN 300
- \* hermetic separation of mechanical and electrical component

Female thread G1/4 brass/stainless steel

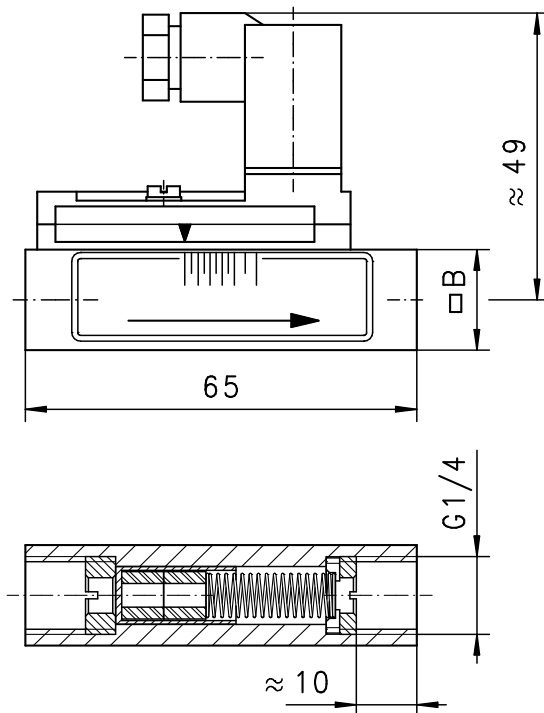


**TECHNICAL DATA**

	G	Type	PN bar	Qmax. recom. H <sub>2</sub> O	adjustable range H <sub>2</sub> O	B mm	weight kg
brass	G1/4	RVM-008GM013	300	168 ml/min	40 - 130 ml/min	17	0.14
		RVM-008GM060	300	0.72 l/min	0.1 - 0.6 l/min	17	0.14
		RVM-008GM300	300	3.6 l/min	0.5 - 3.0 l/min	17	0.14
stain- less steel	G1/4	RVM-008GK013	350	168 ml/min	40 - 130 ml/min	18	0.15
		RVM-008GK060	350	0.72 l/min	0.1 - 0.6 l/min	18	0.15
		RVM-008GK300	350	3.6 l/min	0.5 - 3.0 l/min	18	0.15

Adjustable range is indicated for horizontally decreasing flow.

tolerance	±10% of full scale
media temperature	max. 100°C
average pressure loss	0.02-0.2 bar at Qmax.
hysteresis	depending on switch value minimum 1 ml/min.

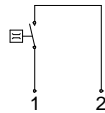


**MATERIALS**

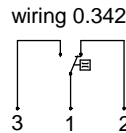
	<b>RVM-008GM</b>	<b>RVM-008GK</b>
body	brass Ms58 nickel plated	stainless steel 1.4571
piston	brass Ms58	stainless steel 1.4571
spring	stainless steel 1.4571	stainless steel 1.4571
magnet	hardferrite	hardferrite

**ELECTRICAL DATA**

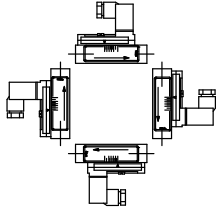
Reed switch - wiring 0.212 n.o.  
200 V 1 A 20 VA  
Plug DIN 43650-C  
Protection class IP 65



○ BASIC  
Programme  
option



**MOUNTING POSITION**



Installation position may influence switch value.

**METERING SUBSTANCES**



water



gas/air



design stainless steel RVM-...GK for aggressive liquids

**NOMENCLATURE**

For combination see table "technical data"

<b>RVM-</b>	<b>008</b>	<b>G</b>	<b>M</b>	<b>014</b>	<b>basic type</b>
	008				<b>specification</b>
		G			● nominal diameter DN 8 - G1/4
			M		● female thread
			K		● brass
				013	● stainless steel
				060	● adjustable range 40 - 130 ml/min H <sub>2</sub> O
				300	● adjustable range 0.1 - 0.6 l/min H <sub>2</sub> O
					● adjustable range 0.5 - 3.0 l/min H <sub>2</sub> O
					○ wiring 0.213, change over 200 V 1 A 20 VA
Programme option					
BASIC					
Special option					□ setting / switch ranges for gas
VARIO					

**IMPORTANT FOR YOUR ORDER**

- Please indicate flow direction, metering substance and adjustable range with your order.
- With gaseous media indicate pressure (relative or absolute), temperature and metering substance (adjustable range on request)

All technical changes reserved

●BASIC Standard ○BASIC Programme option □VARIO Special option ⊕ PLUS Accessories ✗not recommendable