

GENERAL CHARACTERISTICS

Mechanical Flow Switch for liquids or gaseous media, with contactless triggering of an adjustable micro switch. Rugged design in cast steel.

- * control an indicating
- * media temperature 350°C
- * good repeatability
- * dirt-resistant
- * high switch capability
- * DIN flange housing



Flange DN 15-200 cast steel



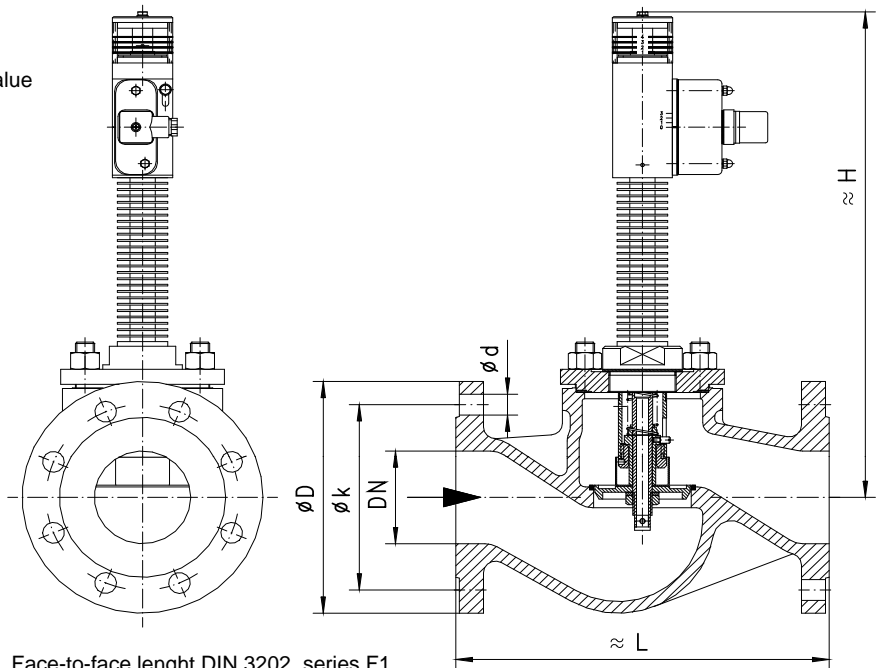
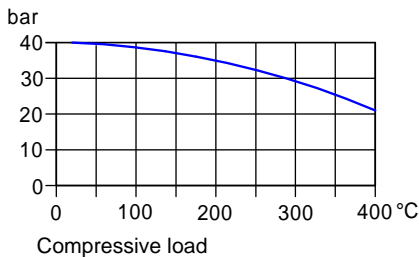
TX-015FT020K

TECHNICAL DATA

	DN	Type	PN bar	Qmax. rec.		adjustable range		H mm	L mm	D mm	k mm	d mm	weight kg
				l/min H ₂ O		l/min H ₂ O							
cast steel	15	TX-015FT...	40	20	30	2 - 8	4 - 20	370	130	95	65	4x14	6.0
	20	TX-020FT...	40	40	55	4 - 20	10 - 40	370	150	105	75	4x14	6.5
	25	TX-025FT...	40	60	80	10 - 40	20 - 60	380	160	115	85	4x14	8.5
	32	TX-032FT...	40	100	135	20 - 60	30 - 100	380	180	140	100	4x18	10.5
	40	TX-040FT...	40	150	270	30 - 100	50 - 200	390	200	150	110	4x18	13.0
	50	TX-050FT...	40	270	340	50 - 200	100 - 250	390	230	165	125	4x18	15.5
	65	TX-065FT...	40	400		100 - 250	150 - 300	410	290	185	145	8x18	25.5
	80	TX-080FT...	40	600		150 - 300	300 - 450	430	310	200	160	8x18	31.0
	100	TX-100FT...	40	950		200 - 400	350 - 500	450	350	235	190	8x22	38.0
	150	TX-150FT...	40	2000		600 - 750	700 - 950	510	480	300	250	8x26	87.0
200	TX-200FT...	40	4000		850 - 1050	1050 - 1250	580	600	375	320	12x30	154.0	

Adjustable range is indicated for horizontally decreasing flow.

Tolerance ±5% of full scale
 Media temperature max. 350°C
 Average pressure loss 0.5 bar at Qmax.
 Hysteresis depending on switch value
 minimum 0.3 l/min.



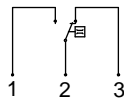
Face-to-face length DIN 3202, series F1
 Flange DIN 2545 PN 40
 Flange dimension DIN 2501 PN 40
 Types of contact faces DIN 2526 Form C

MATERIALS

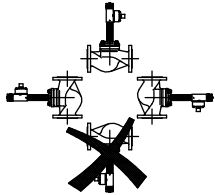
- housing cast steel GSC 25
- body stainless steel 1.4571
- piston stainless steel 1.4301 ; 1.4305 ; 1.4571
- spring stainless steel 1.4310
- piston sleeve stainless steel 1.4571
- seal sigraflex V20011Z31 viton
- magnet bariumferrite
- tube acrylic (XT)

ELECTRICAL DATA

micro switch - wiring 0.213 change over
250 V AC 6 A
plug DIN 43650-A
protection class IP 44



MOUNTING POSITION



Installation position may influence switch value.

METERING SUBSTANCES



water



gas/air



oil

NOMENCLATURE

For combinations see table "technical data"

TX-	015	F	T	008	B	basic type specification	
	015				●	nominal diameter	DN 15
	020				●		DN 20
	025				●		DN 25
	032				●		DN 32
	040				●		DN 40
	050				●		DN 50
	065				●		DN 65
	080				●		DN 80
	100				●		DN 100
	150				●		DN 150
	200				●	DN 200	
		F			●		flange
			T		●		housing cast steel
				008	●	adjustable range H ₂ O horizontal	2 - 8 l/min
				020	●		4 - 20 l/min
				040	●		10 - 40 l/min
				060	●		20 - 60 l/min
				100	●		30 - 100 l/min
				200	●		50 - 200 l/min
				250	●		100 - 250 l/min
				300	●		150 - 300 l/min
				400	●		200 - 400 l/min
				450	●		300 - 450 l/min
				500	●		350 - 500 l/min
				750	●		600 - 750 l/min
				950	●		700 - 950 l/min
				1050	●	850 - 1050 l/min	
				1250	●	1050 - 1250 l/min	
					B ●		plug DIN 43650-A
					K ●		cable gland Pg9 with 2.5 metre cable and TÜV-approval TÜV.SW.02-021
					○		housing stainless steel
Programme optionen BASIC							

IMPORTANT FOR YOUR ORDER

- Please indicate flow direction, metering substance and adjustable range with your order.
- With viscous liquids please indicate viscosity, temperature and metering substance (adjustable range on request)
- With gaseous media indicate pressure (relative or absolute), temperature and metering substance (adjustable range on request)

All technical changes reserved

●BASIC Standard ○BASIC Programme option □VARIO Special option ⊕ PLUS Accessories ✗not recommendable