

GENERAL CHARACTERISTICS

Mechanical Flow Switch for liquids or gaseous media, with contactless triggering of an adjustable reed switch. Rugged design in cast iron.

Flange DN 15-300 cast iron

- * good repeatability
- * dirt-resistant
- * DIN flange housing
- * exact setting of switch via scale



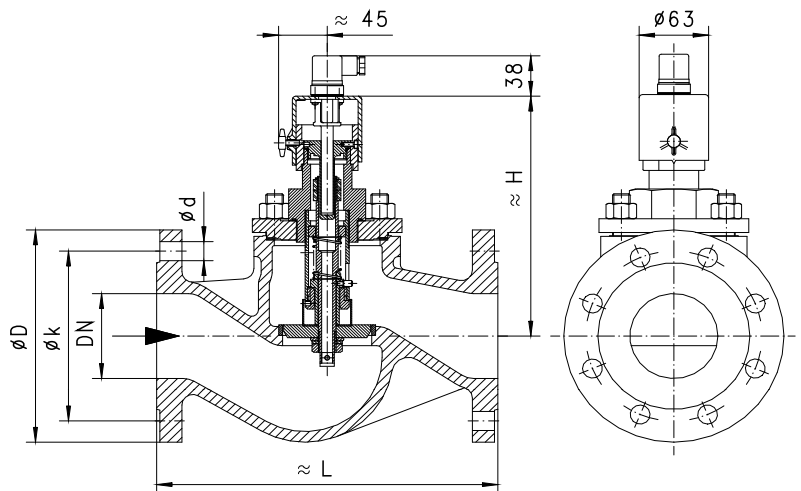
VD-025FG040

TECHNICAL DATA

	DN	Type	PN bar	Qmax. rec. l/min H ₂ O		adjustable range l/min H ₂ O		H mm	L mm	D mm	k mm	d mm	weight kg
cast iron	15	VD-015FG...	16	20	30	2 - 8	4 - 20	180	130	95	65	4x14	3.2
	20	VD-020FG...	16	40	55	4 - 20	10 - 40	180	150	105	75	4x14	4.2
	25	VD-025FG...	16	60	80	10 - 40	20 - 60	190	160	115	85	4x14	4.7
	32	VD-032FG...	16	100	135	20 - 60	30 - 100	190	180	140	100	4x18	6.6
	40	VD-040FG...	16	150	270	30 - 100	50 - 200	210	200	150	110	4x18	8.0
	50	VD-050FG...	16	270	340	50 - 200	100 - 250	220	230	165	125	4x18	11.2
	65	VD-065FG...	16	400		100 - 250	150 - 300	230	290	185	145	4x18	13.8
	80	VD-080FG...	16	600		150 - 300	300 - 450	240	310	200	160	8x18	21.0
	100	VD-100FG...	16	950		200 - 400	350 - 500	260	350	220	180	8x18	30.5
	150	VD-150FG...	16	2000		600 - 750	700 - 950	330	480	285	240	8x22	66.0
	200	VD-200FG...	16	4000		850 - 1050	1050 - 1250	390	600	340	295	12x22	124.0
250	VD-250FG...	16	6000		1100 - 1300	1200 - 1400	450	730	405	355	12x26	202.0	
300	VD-300FG...	16	8000		1300 - 1500	1400 - 1600	490	850	460	410	12x26	237.0	

Adjustable range is indicated for horizontally decreasing flow.

tolerance	±5% of full scale
media temperature	max. 120°C
average pressure loss	0.5 bar at Qmax.
hysteresis	depending on switch value minimum 0.3 l/min.



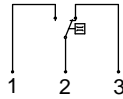
MATERIALS

housing	cast iron GG25
body	brass Ms58
piston	POM
spring	stainless steel 1.4310
piston sleeve	brass Ms58
seal	viton klingerite
magnet	bariumferrite
cap	ABS

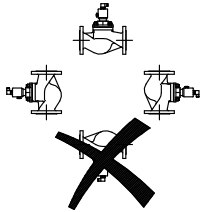
Face-to-face length DIN 3202, series F1
Flange DIN 2533 PN 16
Flange dimension DIN 2501 PN 16
Types of contact faces DIN 2526 Form C

ELECTRICAL DATA

reed switch - wiring 0.213 change over
 250 V AC 1.5 A 50 VA
 plug DIN 43650-A
 protection class 2
 protection class IP 44



MOUNTING POSITION



Installation position may influence switch value.

METERING SUBSTANCES



water



gas/air



oil

NOMENCLATURE

For combination see table "technical data"

VD-	015	F	G	008		basic type specification
	015				●	DN 15
	020				●	DN 20
	025				●	DN 25
	032				●	DN 32
	040				●	DN 40
	050				●	DN 50
	065				●	DN 65
	080				●	DN 80
	100				●	DN 100
	150				●	DN 150
	200				●	DN 200
	250				●	DN 250
	300				●	DN 300
		F			●	flange
			G		●	housing cast iron
				008	●	2 - 8 l/min
				020	●	4 - 20 l/min
				040	●	10 - 40 l/min
				060	●	20 - 60 l/min
				100	●	30 - 100 l/min
				200	●	50 - 200 l/min
				250	●	100 - 250 l/min
				300	●	150 - 300 l/min
				400	●	200 - 400 l/min
				450	●	300 - 450 l/min
				500	●	350 - 500 l/min
				750	●	600 - 750 l/min
				950	●	700 - 950 l/min
				1050	●	850 - 1050 l/min
				1250	●	1050 - 1250 l/min
				1300	●	1100 - 1300 l/min
				1400	●	1200 - 1400 l/min
				1500	●	1300 - 1500 l/min
				1600	●	1400 - 1600 l/min
					A ○	switch ATEX (product information 92.1.V1)
					○	for options see data sheet 1.1.VD.GR
					□	

IMPORTANT FOR YOUR ORDER

- Please indicate flow direction, metering substance and adjustable range with your order.
- With viscous liquids please indicate viscosity, temperature and metering substance (adjustable range on request)
- With gaseous media indicate pressure (relative or absolute), temperature and metering substance (adjustable range on request)

All technical changes reserved

●BASIC Standard ○BASIC Programme option □VARIO Special option ⊕ PLUS Accessories ✗not recommendable