

GENERAL CHARACTERISTICS

Mechanical Flow Switch for liquids or gaseous, with contactless triggering of an adjustable reed switch. Rugged design in stainless steel.

- * good repeatability
- * dirt-resistant
- * DIN flange housing
- * exact setting of switch via scale



Flange DN 15-150 stainless steel



VD-025FK040

TECHNICAL DATA

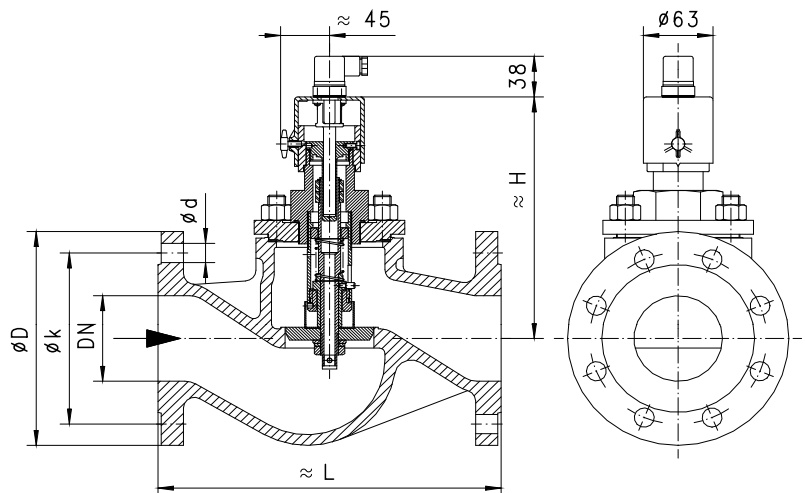
	DN	Type	PN bar	Qmax. rec. l/min H ₂ O		adjustable range l/min H ₂ O		H mm	L mm	D mm	k mm	d mm	weight kg
stainless steel	15	VD-015FK...	40	20	30	2 - 8	4 - 20	180	130	95	65	4x14	3.3
	20	VD-020FK...	40	40	55	4 - 20	10 - 40	180	150	105	75	4x14	5.4
	25	VD-025FK...	40	60	80	10 - 40	20 - 60	190	160	115	85	4x14	5.8
	32	VD-032FK...	40	100	135	20 - 60	30 - 100	190	180	140	100	4x18	7.2
	40	VD-040FK...	40	150	270	30 - 100	50 - 200	210	200	150	110	4x18	8.8
	50	VD-050FK...	40	270	340	50 - 200	100 - 250	220	230	165	125	4x18	10.4
	65	VD-065FK...	40	400		100 - 250	150 - 300	230	290	185	145	8x18	16.5
	80	VD-080FK...	40	600		150 - 300	300 - 450	240	310	200	160	8x18	19.7
	100	VD-100FK...	40	950		200 - 400	350 - 500	260	350	235	190	8x22	26.0
	150	VD-150FK...	40	2000		600 - 750	700 - 950	330	480	300	250	8x26	57.0

Adjustable range is indicated for horizontally decreasing flow.

tolerance	±5% of full scale
media temperature	max. 120°C
average pressure loss	0.5 bar at Qmax.
hysteresis	depending on switch value minimum 0.3 l/min.

MATERIALS

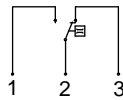
housing	stainless steel 1.4408
body	stainless steel 1.4571
piston	POM
spring	stainless steel 1.4310
piston sleeve	stainless steel 1.4571
seal	viton
	klingerite
magnet	bariumferrite
cap	ABS



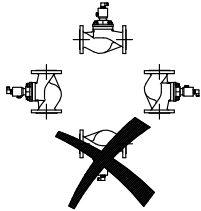
Face-to-face length DIN 3202, series F1
 Flange DIN 2545 PN 40
 Flange dimension DIN 2501 PN 40
 Types of contact faces DIN 2526 Form C

ELECTRICAL DATA

reed switch - wiring 0.213 change over
250 V AC 1.5 A 50 VA
plug DIN 43650-A
protection class 2
protection class IP 44

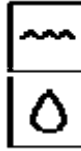


MOUNTING POSITION



Installation position may influence switch value.

METERING SUBSTANCES



water



gas/air



oil

NOMENCLATURE

For combination see table "technical data"

VD-	015	F	K	008			basic type specification
	015				<input checked="" type="checkbox"/>	nominal diameter	DN 15
	020				<input checked="" type="checkbox"/>		DN 20
	025				<input checked="" type="checkbox"/>		DN 25
	032				<input checked="" type="checkbox"/>		DN 32
	040				<input checked="" type="checkbox"/>		DN 40
	050				<input checked="" type="checkbox"/>		DN 50
	065				<input checked="" type="checkbox"/>		DN 65
	080				<input checked="" type="checkbox"/>		DN 80
	100				<input checked="" type="checkbox"/>		DN 100
	150				<input checked="" type="checkbox"/>		DN 150
		F			<input checked="" type="checkbox"/>		flange
			K		<input checked="" type="checkbox"/>		housing stainless steel
				008	<input checked="" type="checkbox"/>	adjustable range H ₂ O horizontal	2 - 8 l/min
				020	<input checked="" type="checkbox"/>		4 - 20 l/min
				040	<input checked="" type="checkbox"/>		10 - 40 l/min
				060	<input checked="" type="checkbox"/>		20 - 60 l/min
				100	<input checked="" type="checkbox"/>		30 - 100 l/min
				200	<input checked="" type="checkbox"/>		50 - 200 l/min
				250	<input checked="" type="checkbox"/>		100 - 250 l/min
				300	<input checked="" type="checkbox"/>		150 - 300 l/min
				400	<input checked="" type="checkbox"/>		200 - 400 l/min
				450	<input checked="" type="checkbox"/>		300 - 450 l/min
				500	<input checked="" type="checkbox"/>	350 - 500 l/min	
				750	<input checked="" type="checkbox"/>	600 - 750 l/min	
				950	<input checked="" type="checkbox"/>	700 - 950 l/min	
					A	<input type="checkbox"/>	switch ATEX (product information 92.1.V1)
Programme option	BASIC					<input type="checkbox"/>	signal lamp temperature indicator 0-120°C protection class IP 65 material certification
Special option	VARIO					<input type="checkbox"/>	setting / adjustable ranges for oil or gas selected hysteresis rhodium contact temperature control 30-95°C wetted parts in brass or stainless steel temperature up to +150°C damping for gas control approval Germanischer Lloyd type VR
						<input type="checkbox"/>	approval Germanischer Lloyd type VR

IMPORTANT FOR YOUR ORDER

- Please indicate flow direction, metering substance and adjustable range with your order.
- With viscous liquids please indicate viscosity, temperature and metering substance (adjustable range on request)
- With gaseous media indicate pressure (relative or absolute), temperature and metering substance (adjustable range on request)

All technical changes reserved

●BASIC Standard ○BASIC Programme option □VARIO Special option ⊕ PLUS Accessories ✗not recommendable