

**GENERAL CHARACTERISTICS**

Mechanical Flow Switch for liquids or gaseous media, with contactless triggering of an adjustable reed switch. Rugged design with flanges in bronze.

- \* good repeatability
- \* dirt-resistant
- \* DIN flanges
- \* exact setting of switch via scale



Flange DN 15-100 bronze



**VD-050FR200**

**TECHNICAL DATA**

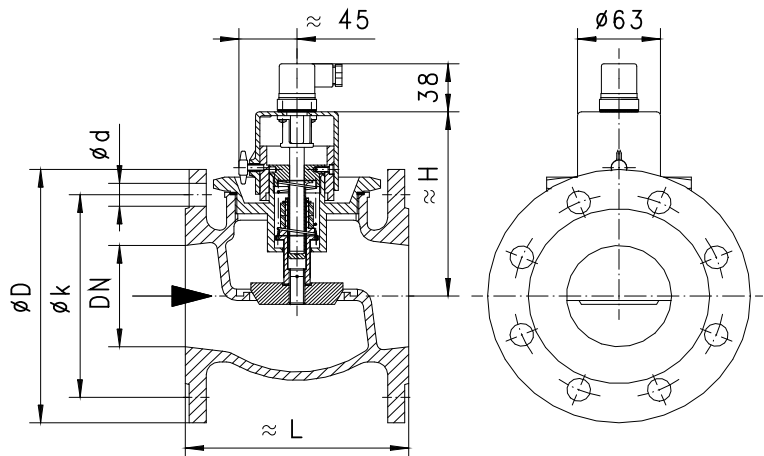
	DN	Type	PN bar	Qmax. rec. l/min H <sub>2</sub> O		adjustable range l/min H <sub>2</sub> O		H mm	L mm	D mm	k mm	d mm	weight kg
bronze	15	VD-015FR...	16	20	30	2 - 8	4 - 20	180	65	95	65	4x14	2.0
	20	VD-020FR...	16	40	55	4 - 20	10 - 40	152	80	105	75	4x14	2.5
	25	VD-025FR...	16	60	80	10 - 40	20 - 60	164	90	115	85	4x14	2.8
	32	VD-032FR...	16	100	135	20 - 60	30 - 100	160	95	140	100	4x18	4.1
	40	VD-040FR...	16	150	270	30 - 100	50 - 200	160	110	150	110	4x18	5.0
	50	VD-050FR...	16	270	340	50 - 200	100 - 250	160	125	165	125	4x18	6.5
	65	VD-065FR...	16	400		100 - 250	150 - 300	160	150	185	145	4x18	9.1
	80	VD-080FR...	16	600		150 - 300	300 - 450	160	170	200	160	8x18	11.6
	100	VD-100FR...	16	950		200 - 400	350 - 500	250	205	220	180	8x18	22.0

Adjustable range is indicated for horizontally decreasing flow.

tolerance	±5% of full scale
media temperature	max. 120°C
average pressure loss	0.5 bar at Qmax.
hysteresis	depending on switch value minimum 0.3 l/min.

**MATERIALS**

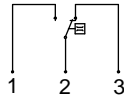
housing	bronze Rg5
body	brass Ms58
piston	POM
spring	stainless steel 1.4310
piston sleeve	brass Ms58
seal	NBR
magnet	bariumferrite
cap	ABS



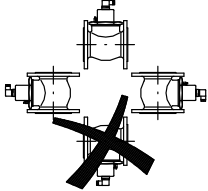
Flange dimension DIN 2501 PN 16  
 Types of contact faces DIN 2526 Form C

**ELECTRICAL DATA**

reed switch - wiring 0.213 change over  
250 V AC 1.5 A 50 VA  
plug DIN 43650-A  
protection class 2  
protection class IP 44



**MOUNTING POSITION**



Installation position may influence switch value.

**METERING SUBSTANCES**



water



gas/air



oil

**NOMENCLATURE**

For combination see table "technical data"

VD-	015	F	R	008		basic type specification
	015				●	nominal diameter
	020				●	
	025				●	
	032				●	
	040				●	
	050				●	
	065				●	
	080				●	
	100				●	
		F			●	
			R		●	housing bronze
				008	●	adjustable range H <sub>2</sub> O horizontal
				020	●	
				040	●	
				060	●	
				100	●	
				200	●	
				250	●	
				300	●	
				400	●	
				450	●	
				500	●	
					A ○	switch ATEX (product information 92.1.V1)
Programme option BASIC					○	signal lamp temperature indicator 0-120°C protection class IP 65 material certification
Special option VARIO					□	setting / adjustable ranges for oil or gas selected hysteresis rhodium contact temperature control 30-95°C wetted parts in brass or stainless steel temperature up to +150°C damping for gas control approval Germanischer Lloyd type VR

**IMPORTANT FOR YOUR ORDER**

- Please indicate flow direction, metering substance and adjustable range with your order.
- With viscous liquids please indicate viscosity, temperature and metering substance (adjustable range on request)
- With gaseous media indicate pressure (relative or absolute), temperature and metering substance (adjustable range on request)

All technical changes reserved

●BASIC Standard ○BASIC Programme option □VARIO Special option ⊕ PLUS Accessories ✗not recommendable