

**GENERAL CHARACTERISTICS**

Mechanical Flow Switch for liquids and gaseous media, with a contactless triggering of an adjustable reed switch. Rugged construction in cast steel.

- \* good repeatability
- \* dirt-resistant
- \* DIN flange housing
- \* exact setting of switch via scale



Flange DN 15-300 cast steel



VD-025FT040

**TECHNICAL DATA**

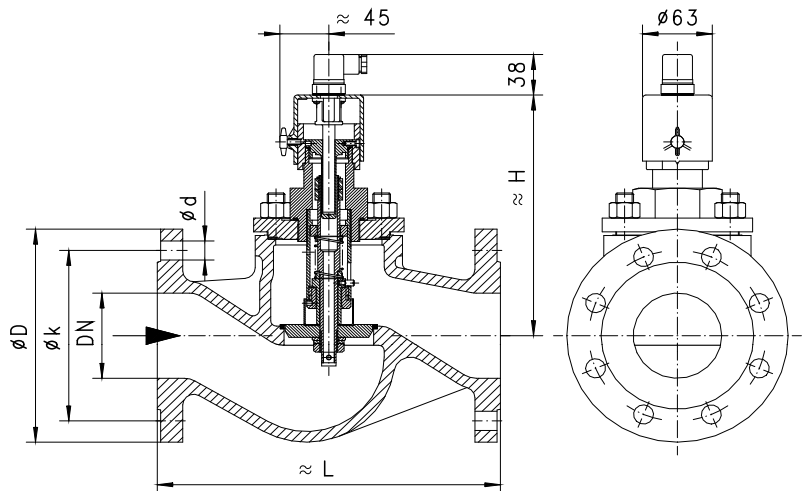
	DN	Type	PN bar	Qmax. rec.		adjustable range		H mm	L mm	D mm	k mm	d mm	weight kg
				l/min H <sub>2</sub> O		l/min H <sub>2</sub> O							
cast steel	15	VD-015FT...	40	20	30	2 - 8	4 - 20	180	130	95	65	4x14	4.0
	20	VD-020FT...	40	40	55	4 - 20	10 - 40	180	150	105	75	4x14	4.4
	25	VD-025FT...	40	60	80	10 - 40	20 - 60	190	160	115	85	4x14	6.3
	32	VD-032FT...	40	100	135	20 - 60	30 - 100	190	180	140	100	4x18	8.2
	40	VD-040FT...	40	150	270	30 - 100	50 - 200	210	200	150	110	4x18	11.1
	50	VD-050FT...	40	270	340	50 - 200	100 - 250	220	230	165	125	4x18	12.8
	65	VD-065FT...	40		400	100 - 250	150 - 300	230	290	185	145	8x18	23.5
	80	VD-080FT...	40		600	150 - 300	300 - 450	240	310	200	160	8x18	29.0
	100	VD-100FT...	40		950	200 - 400	350 - 500	260	350	235	190	8x22	36.0
	150	VD-150FT...	40		2000	600 - 750	700 - 950	330	480	300	250	8x26	85.0
	200	VD-200FT....	40		4000	850 - 1050	1050 - 1250	390	600	375	320	12x30	152.0
250	VD-250FT....	40		6000	1100 - 1300	1200 - 1400	450	730	450	385	12x33	212.0	
300	VD-300FT....	40		8000	1300 - 1500	1400 - 1600	490	850	515	450	16x33	309.0	

Adjustable range is indicated for horizontally decreasing flow.

tolerance	±5% of full scale
media temperature	max. 120°C
average pressure loss	0.5 bar at Qmax.
hysteresis	depending on switch value minimum 0.3 l/min.

**MATERIALS**

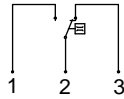
housing	cast steel GSC 25
body	brass Ms58
piston	POM
spring	stainless steel 1.4310
piston Sleeve	brass Ms58
seal	NBR
	klingerite
magnet	bariumferrite
cap	ABS



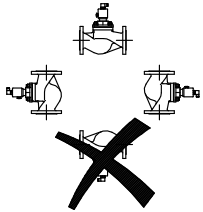
Face-to-face length DIN 3202, series F1  
Flange DIN 2545 PN 40  
Flange dimension DIN 2501 PN 40  
Types of contact faces DIN 2526 Form C

**ELECTRICAL DATA**

reed switch - wiring 0.213 change over  
250 V AC 1.5 A 50 VA  
plug DIN 43650-A  
protection class 2  
protection class IP 44



**MOUNTING POSITION**



Installation position may influence switch value.

**METERING SUBSTANCES**



water



gas/air



oil

**NOMENCLATURE**

For combination see table "technical data"

VD-	015	F	T	008		basic type specification
	015				●	nominal diameter
	020				●	
	025				●	
	032				●	
	040				●	
	050				●	
	065				●	
	080				●	
	100				●	
	150				●	
	200				●	
	250				●	
	300				●	
		F			●	flange
			T		●	housing cast steel
				008	●	2 - 8 l/min
				020	●	4 - 20 l/min
				040	●	10 - 40 l/min
				060	●	20 - 60 l/min
				100	●	30 - 100 l/min
				200	●	50 - 200 l/min
				250	●	100 - 250 l/min
				300	●	150 - 300 l/min
				400	●	200 - 400 l/min
				450	●	300 - 450 l/min
				500	●	350 - 500 l/min
				750	●	600 - 750 l/min
				950	●	700 - 950 l/min
				1050	●	850 - 1050 l/min
				1250	●	1050 - 1250 l/min
				1300	●	1100 - 1300 l/min
				1400	●	1200 - 1400 l/min
				1500	●	1300 - 1500 l/min
				1600	●	1400 - 1600 l/min
					A ○	switch ATEX (product information 92.1.V1)
Programme option BASIC					○	for options see data sheet 1.1.VD.GR
Special option VARIO					□	

**IMPORTANT FOR YOUR ORDER**

- Please indicate flow direction, metering substance and adjustable range with your order.
- With viscous liquids please indicate viscosity, temperature and metering substance (adjustable range on request)
- With gaseous media indicate pressure (relative or absolute), temperature and metering substance (adjustable range on request)

All technical changes reserved

●BASIC Standard ○BASIC Programme option □VARIO Special option ⊕ PLUS Accessories ✗not recommendable