

GENERAL CHARACTERISTICS

Mechanical Flow Switch for liquids or gaseous media, with contactless triggering of an adjustable reed switch. Rugged design in stainless steel.

- * good repeatability
- * dirt-resistant
- * exact setting of switch via scale



Female thread G1/2 to G2 stainless steel



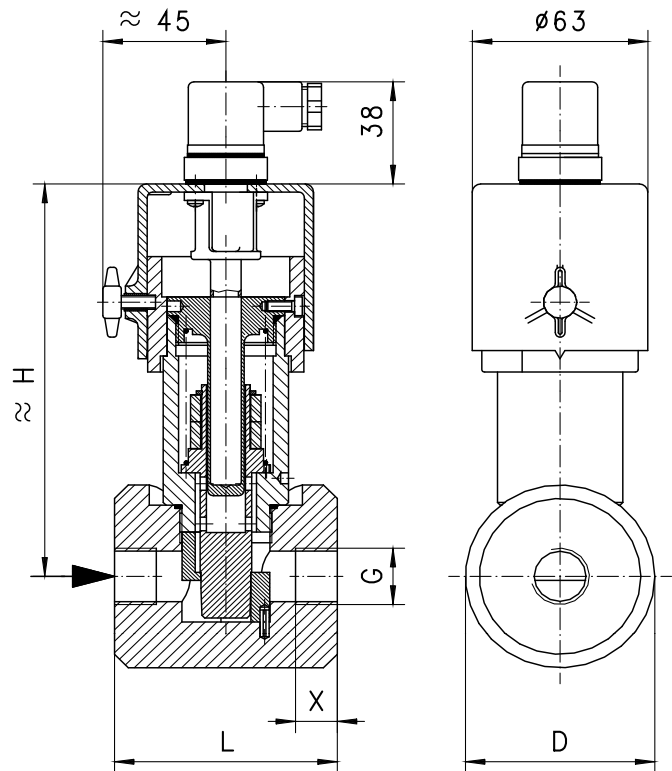
VD-020GK020

TECHNICAL DATA

| | G | Type | PN bar | Qmax. recom. | | adjustable range | | H mm | L mm | D mm | X mm | weight kg |
|-----------------|---------|-------------|-----------|------------------------|-----|------------------------|-----------|---------|---------|---------|---------|--------------|
| | | | | l/min H ₂ O | | l/min H ₂ O | | | | | | |
| stainless steel | G 1/2 | VD-015GK... | 100 | 20 | 30 | 1 - 10 | 4 - 20 | 166 | 80 | 68 | 15 | 2.8 |
| | G 3/4 | VD-020GK... | 100 | 40 | 60 | 4 - 20 | 10 - 40 | 166 | 80 | 68 | 16 | 2.6 |
| | G 1 | VD-025GK... | 100 | 60 | 85 | 10 - 40 | 10 - 60 | 166 | 80 | 68 | 18 | 2.5 |
| | G 1 1/4 | VD-032GK... | 100 | 100 | 145 | 20 - 60 | 20 - 100 | 180 | 95 | 78 | 24 | 3.7 |
| | G 1 1/2 | VD-040GK... | 100 | 150 | 220 | 30 - 100 | 50 - 150 | 186 | 105 | 88 | 25 | 4.8 |
| | G 2 | VD-050GK... | 100 | 250 | 290 | 50 - 150 | 100 - 200 | 194 | 120 | 102 | 27 | 7.0 |

Adjustable range is indicated for horizontally decreasing flow.

| | |
|-----------------------|---|
| tolerance | ±5% of full scale |
| media temperature | max. 120°C |
| average pressure loss | 0.5 bar at Qmax. |
| hysteresis | depending on switch value minimum 0.3 l/min. |

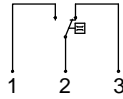


MATERIALS

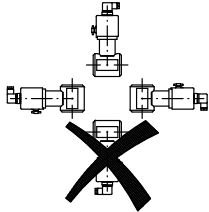
| | |
|---------------|-----------------------------|
| housing | stainless steel 1.4305 |
| piston | stainless steel 1.4571 |
| spring | stainless steel 1.4310 |
| piston sleeve | stainless steel 1.4571 |
| seal | viton |
| magnet | bariumferrite (PTFE plated) |
| cap | ABS |

ELECTRICAL DATA

reed switch - wiring 0.213 change over
250 V AC 1.5 A 50 VA
plug DIN 43650-A
protection class 2
protection class IP 44



MOUNTING POSITION



Installation position may influence switch value.

METERING SUBSTANCES



water



gas/air



oil



aggressive liquids

NOMENCLATURE

For combination see table "technical data"

| VD- | 015 | G | K | 010 | | basic type specification |
|------------------------|-----|---|---|-----|---|---|
| | 015 | | | | ● | nominal diameter |
| | 020 | | | | ● | DN 15 - G1/2 |
| | 025 | | | | ● | DN 20 - G3/4 |
| | 032 | | | | ● | DN 25 - G1 |
| | 040 | | | | ● | DN 32 - G1 1/4 |
| | 050 | | | | ● | DN 40 - G1 1/2 |
| | | G | | | ● | DN 50 - G2 |
| | | | K | | ● | female thread |
| | | | | 010 | ● | housing stainless steel |
| | | | | 020 | ● | adjustable range H ₂ O horizontal |
| | | | | 040 | ● | 1 - 10 l/min |
| | | | | 060 | ● | 4 - 20 l/min |
| | | | | 100 | ● | 10 - 40 l/min |
| | | | | 150 | ● | (10) 20 - 60 l/min |
| | | | | 200 | ● | (20) 30 - 100 l/min |
| | | | | | ● | 50 - 150 l/min |
| | | | | | ● | 100 - 200 l/min |
| | | | | A | ○ | switch ATEX (product information 92.1.V1) |
| Programme option BASIC | | | | | ○ | signal lamp temperature indicator 0-120°C protection class IP 65 material certification |
| Special option VARIO | | | | | □ | setting / adjustable ranges for oil or gas selected hysteresis rhodium contact temperature control 30-95°C wetted parts in brass or stainless steel temperature up to +150°C damping for gas control approval Germanischer Lloyd type VR |
| | | | | | | |

IMPORTANT FOR YOUR ORDER

- Please indicate flow direction, metering substance and adjustable range with your order.
- With viscous liquids please indicate viscosity, temperature and metering substance (adjustable range on request)
- With gaseous media indicate pressure (relative or absolute), temperature and metering substance (adjustable range on request)

All technical changes reserved

●BASIC Standard ○BASIC Programme option □VARIO Special option ⊕ PLUS Accessories ✗not recommendable