

**GENERAL CHARACTERISTICS**

Mechanical Flow Switch for liquids or gaseous media, with contactless triggering of an adjustable inductive sensor. Rugged design in bronze / plastic combination.

- \* for liquid substances with ferrite contamination
- \* good repeatability
- \* precise continuous setting of switch value
- \* dirt-resistant

Female thread G1/4 to G3 bronze



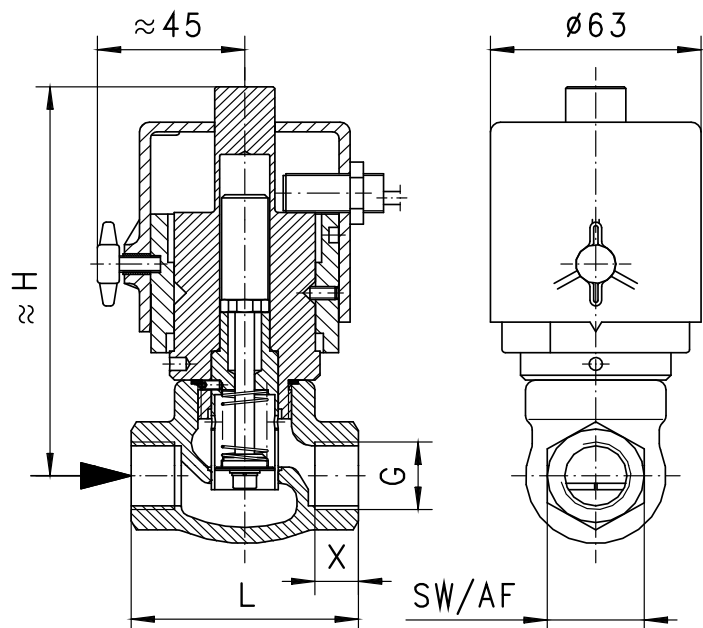
**VI-025GR06P**

**TECHNICAL DATA**

	G	Type	PN bar	Qmax. recom. l/min H <sub>2</sub> O	adjustable range l/min H <sub>2</sub> O	H mm	L mm	AF mm	X mm	weight kg
bronze/plastic	G 1/4	VI-008GR010.	16	20	1 - 10	121	68	29	12	1.0
	G 3/8	VI-010GR010.	16	25	1 - 10	121	68	29	12	1.0
	G 1/2	VI-015GR020.	16	30	4 - 20	121	68	29	13	1.0
	G 3/4	VI-020GR040.	16	40	10 - 40	122	73	32	11	1.1
	G 1	VI-025GR060.	16	60	20 - 60	122	87	41	12	1.3
	G 1 1/4	VI-032GR100.	16	100	30 - 100	133	98	52	13	2.1
	G 1 1/2	VI-040GR150.	16	150	50 - 150	134	113	59	14	2.8
	G 2	VI-050GR200.	16	250	50 - 200	142	137	72	17	4.0
	G 2 1/2	VI-065GR330.	16	400	180 - 330	172	160	85	26	5.5
	G 3	VI-080GR600.	16	720	300 - 600	172	148	100	23	7.0

Adjustable range is indicated for horizontally decreasing flow.

tolerance ±5% of full scale  
 media temperature max. 60°C  
 average pressure loss 0.3 bar at Qmax.  
 hysteresis depending on switch value  
 minimum 0.3 l/min.

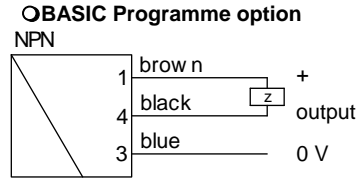
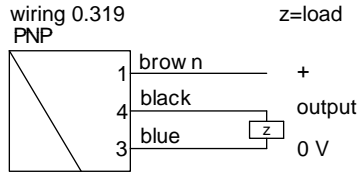


**MATERIAL**

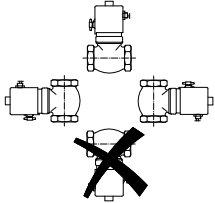
housing bronze Rg5/Rg6 nickel plated  
 body POM  
 piston stainless steel 1.4305  
 piston guide brass Ms58  
 spring stainless steel 1.4310  
 seal NBR  
 cap ABS

**ELECTRICAL DATA**

inductive proximity switch  
voltage 10..30 V DC  
max. load <10 mA  
max. running current 100 mA  
voltage drop <3V  
cabel 2 metre, protection class IP 67

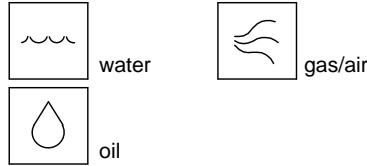


**MOUNTING POSITION**



Installation position may influence switch value.

**METERING SUBSTANCES**



**NOMENCLATURE**

For combination see table "technical data"

VI-	008	G	R	010	P		basic type specification
	008					●	DN 8 - G1/4
	010					●	DN 10 - G3/8
	015					●	DN 15 - G1/2
	020					●	DN 20 - G3/4
	025					●	DN 25 - G1
	032					●	DN 32 - G1 1/4
	040					●	DN 40 - G1 1/2
	050					●	DN 50 - G2
	065					●	DN 65 - G2 1/2
	080					●	DN 80 - G3
		G				●	female thread
			R			●	bronze
				010		●	1 - 10 l/min
				020		●	4 - 20 l/min
				040		●	10 - 40 l/min
				060		●	20 - 60 l/min
				100		●	30 - 100 l/min
				150		●	50 - 150 l/min
				200		●	50 - 200 l/min
				330		●	180 - 330 l/min
				600		●	300 - 600 l/min
					P	●	PNP - output
					N	○	NPN - output
Programme option						○	housing stainless steel
BASIC							
Special option						□	setting / adjustable ranges for oil or gas
VARIO							contact for locking plug M 12x1, 4-pole
							flange version in cast iron/bronze/cast steel or stainless steel

**IMPORTANT FOR YOUR ORDER**

- Please indicate flow direction, metering substance and adjustable range with your order.
- With viscous liquids please indicate viscosity, temperature and metering substance (adjustable range on request)
- With gaseous media indicate pressure (relative or absolute), temperature and metering substance (adjustable range on request)

All technical changes reserved

IBASIC Standard ○OBASIC Programme option □VARIO Special option ⊕ PLUS Accessories

**X** not recommendable