

GENERAL CHARACTERISTICS

Mechanical Flow Switch for liquids or gaseous media, with contactless triggering of an adjustable micro switch. Rugged design in cast iron.

- * good repeatability
- * dirt-resistant
- * high switch capability
- * DIN flange housing
- * exact setting of switch via scale



Flange DN 15-200 cast iron



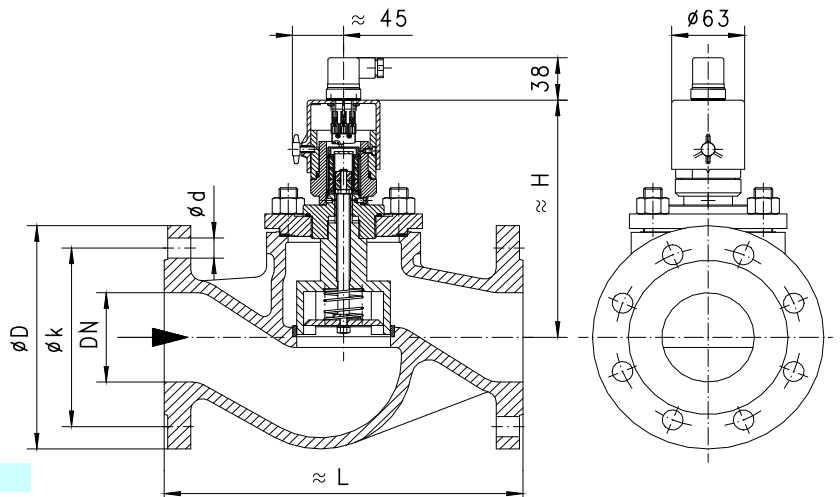
VM-040FG150

TECHNICAL DATA

	DN	Type	PN bar	Qmax. rec. l/min H ₂ O	adjustable range l/min H ₂ O	H mm	L mm	D mm	k mm	d mm	weight kg
cast iron	15	VM-015FG020	16	30	5 - 20	170	130	95	65	4x14	3.2
	20	VM-020FG040	16	60	10 - 40	170	150	105	75	4x14	4.2
	25	VM-025FG060	16	80	20 - 60	178	160	115	85	4x14	4.7
	32	VM-032FG100	16	135	30 - 100	178	180	140	100	4x18	6.6
	40	VM-040FG150	16	200	50 - 150	189	200	150	110	4x18	8.0
	50	VM-050FG250	16	350	100 - 250	192	230	165	125	4x18	11.2
	65	VM-065FG400	16	500	150 - 400	209	290	185	145	4x18	13.8
	80	VM-080FG600	16	800	200 - 600	224	310	200	160	8x18	21.0
	100	VM-100FG1000	16	1250	350 - 1000	241	350	220	180	8x18	30.5
	150	VM-150FG2000	16	2500	700 - 2000	302	480	285	240	8x22	66.0
200	VM-200FG4000	16	5000	1000 - 4000	360	600	340	295	12x22	124.0	

Adjustable range is indicated for horizontally decreasing flow.

tolerance	±5% of full scale
media temperature	max. 90°C
average pressure loss	0.5 bar at Qmax.
hysteresis	depending on switch value minimum 3 l/min.



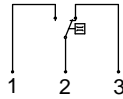
MATERIALS

housing	cast iron GG25
body	brass Ms58
piston	brass Ms58
spring	stainless steel 1.4310
piston sleeve	brass Ms58
seal	viton klingerite
magnet	bariumferrite
cap	ABS

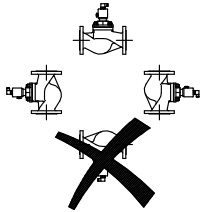
Face-to-face length DIN 3202, series F1
Flange DIN 2533 PN 16
Flange dimension DIN 2501 PN 16
Types of contact faces DIN 2526 Form C

ELECTRICAL DATA

micro switch - wiring 0.213 change over
250 V AC 6 A
plug DIN 43650-A
protection class 2
protection class IP 44



MOUNTING POSITION



Installation position may influence switch value.

METERING SUBSTANCES



water



gas/air



oil

NOMENCLATURE

For combinations see table "technical data"

VM-	015	F	G	020			basic type specification
	015				●	nominal diameter	DN 15
	020				●		DN 20
	025				●		DN 25
	032				●		DN 32
	040				●		DN 40
	050				●		DN 50
	065				●		DN 65
	080				●		DN 80
	100				●		DN 100
	150				●		DN 150
	200				●	DN 200	
		F			●		flange
			G		●		housing cast iron
				020	●	adjustable rang H ₂ O horizontal	5 - 20 l/min
				040	●		10 - 40 l/min
				060	●		20 - 60 l/min
				100	●		30 - 100 l/min
				150	●		50 - 150 l/min
				250	●		100 - 250 l/min
				400	●		150 - 400 l/min
				600	●		200 - 600 l/min
				1000	●	350 - 1000 l/min	
				2000	●	700 - 2000 l/min	
				4000	●	1000 - 4000 l/min	
					A ○		switch ATEX (product information 92.1.V2 and 92.1.V3)
Programme option BASIC					○		signal lamp temperature indicator 0-120°C protection class IP 65 material certification materials brass, cast steel or stainless steel
Special option VARIO					□		setting / adjustable ranges for oil or gas gold-plated micro switch temperature up to 150°C

IMPORTANT FOR YOUR ORDER

- Please indicate flow direction, metering substance and adjustable range with your order.
- With viscous liquids please indicate viscosity, temperature and metering substance (adjustable range on request)
- With gaseous media indicate pressure (relative or absolute), temperature and metering substance (adjustable range on request)

All technical changes reserved

●BASIC Standard ○BASIC Programme option □VARIO Special option ⊕ PLUS Accessories ✗not recommendable