

GENERAL CHARACTERISTICS

Mechanical Flow Switch for liquids or gaseous media, with contactless triggering of an adjustable micro switch. Rugged design in bronze.

- * good repeatability
- * dirt-resistant
- * high switch capability
- * exact setting of switch via scale



Female thread G1/2 to G2 stainless steel



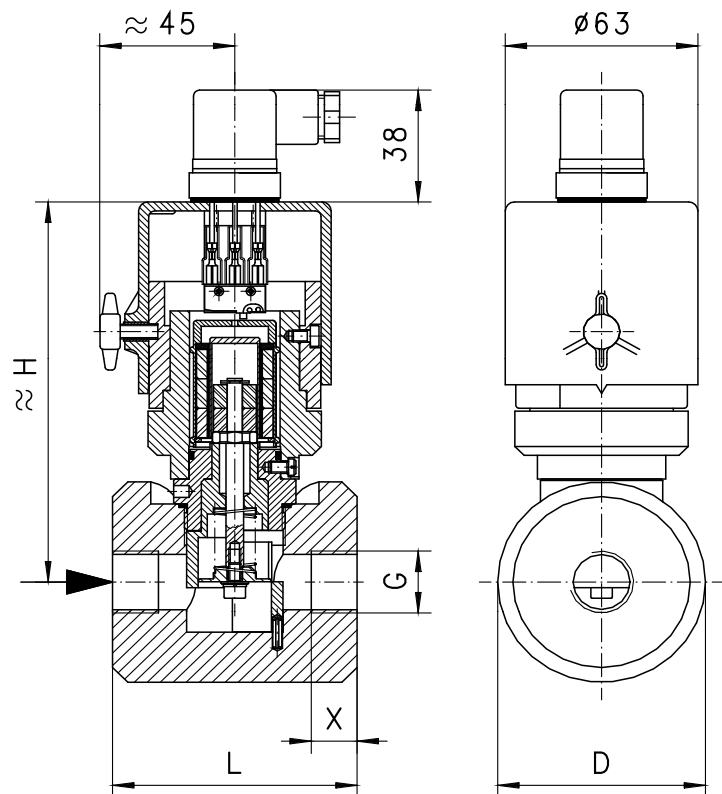
VM-015GK020

TECHNICAL DATA

	G	Type	PN bar	Qmax. recom.		adjustable range		H mm	L mm	D mm	X mm	weight kg
				l/min H ₂ O		l/min H ₂ O						
stainless steel	G 1/2	VM-015GK...	100	15	30	2 - 6	4 - 20	139	80	68	15	2.8
	G 3/4	VM-020GK...	100	40	50	4 - 12	10 - 40	139	80	68	16	2.6
	G 1	VM-025GK060	100		70		10 - 60	139	80	68	18	2.5
	G 1 1/4	VM-032GK100	100		120		20 - 100	141	95	78	24	3.5
	G 1 1/2	VM-040GK150	100		180		30 - 150	152	105	88	25	4.5
	G 2	VM-050GK250	100		300		50 - 250	154	120	102	27	6.7

Adjustable range is indicated for horizontally decreasing flow.

tolerance	±5% of full scale
media temperature	max. 90°C
average pressure loss	0.25 bar at Qmax.
hysteresis	depending on switch value minimum 0.6 l/min.

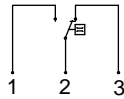


MATERIALS

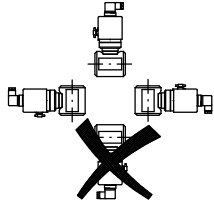
housing	stainless steel 1.4305
piston	stainless steel 1.4571
spring	stainless steel 1.4310
piston sleeve	stainless steel 1.4571
seal	viton
magnet	bariumferrite (PTFE plated)
cap	ABS

ELECTRICAL DATA

micro switch - wiring 0.213 change over
 250 V AC 6 A
 plug DIN 43650-A
 protection class 2
 protection class IP 44



MOUNTING POSITION



Installation position may influence switch value.

METERING SUBSTANCES



water



gas/air



oil



aggressive liquids

NOMENCLATURE

For combinations see table "technical data"

VM-	015	G	K	006			basic type specification
	015				●	nominal diameter	DN 15 - G1/2
	020				●		DN 20 - G3/4
	025				●		DN 25 - G1
	032				●		DN 32 - G1 1/4
	040				●		DN 40 - G1 1/2
	050				●		DN 50 - G2
		G			●		female thread
			K		●		housing stainless steel
				006	●	adjustable range H ₂ O horizontal	2 - 6 l/min
				012	●		4 - 12 l/min
				020	●		4 - 20 l/min
				040	●		10 - 40 l/min
				060	●		10 - 60 l/min
				100	●		20 - 100 l/min
				150	●	30 - 150 l/min	
				250	●	50 - 250 l/min	
					A	○	switch ATEX (product information 92.1.V2 and 92.1.V3)
Programme option BASIC						○	signal lamp temperature indicator 0-120°C protection class IP 65 material certification
Special option VARIO						□	setting / adjustable ranges for oil or gas gold-plated micro switch temperature up to 150°C

IMPORTANT FOR YOUR ORDER

- Please indicate flow direction, metering substance and adjustable range with your order.
- With viscous liquids please indicate viscosity, temperature and metering substance (adjustable range on request)
- With gaseous media indicate pressure (relative or absolute), temperature and metering substance (adjustable range on request)

All technical changes reserved

●BASIC Standard ○BASIC Programme option □VARIO Special option ⊕ PLUS Accessories not recommendable