

GENERAL CHARACTERISTICS

The flow indicator MH indicates the actual flow rate by a flow scale and provides an accurate visual allocation of the flow conditions. Additionally a switch unit is available which is directly connected to the flow tube and may be adjusted within the relevant scale range. As such indication and alarm are combined into one unit.

- * robust aluminium housing
- * optional switch head MHK

Female thread G1/4 to G1 aluminium



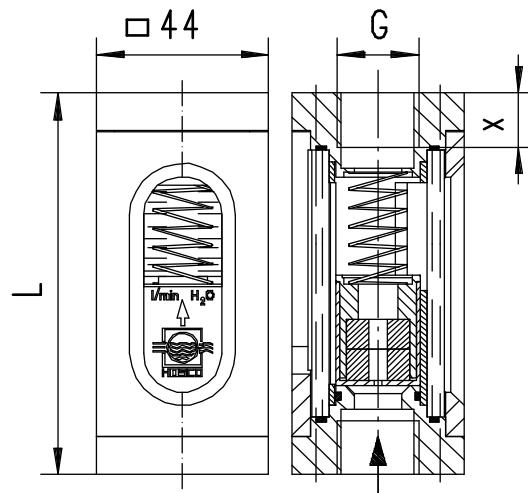
MH-015GA002

TECHNICAL DATA

| | G | Type | PN bar (20°C) | Qmax. recom. l/min H2O | indicating range l/min H2O | | | L mm | X mm | weight kg |
|-----------|-------|-------------|---------------------|---------------------------|-------------------------------|---------|---------|---------|---------|--------------|
| aluminium | G 1/4 | MH-008GA... | 10 | 8 | 0.2 - 2 | 0.6 - 6 | 0.8 - 8 | 100 | 14 | 0.45 |
| | G 3/8 | MH-010GA... | 10 | 10 | 0.2 - 2 | 0.6 - 6 | 1 - 10 | 100 | 14 | 0.45 |
| | G 1/2 | MH-015GA... | 10 | 20 | 0.6 - 6 | 1 - 10 | 2 - 20 | 100 | 14 | 0.45 |
| | G 3/4 | MH-020GA... | 10 | 40 | 1 - 10 | 2 - 20 | 5 - 40 | 120 | 18 | 0.50 |
| | G 1 | MH-025GA... | 10 | 60 | 2 - 20 | 5 - 40 | 10 - 50 | 120 | 18 | 0.50 |

Indicating range is calibrated for vertical upward increasing flow.

tolerance ±10% of full scale
media temperature max. 65°C



MATERIALS

connector aluminium
body aluminium
tube Acryl XT
piston POM
spring stainless steel 1.4310
seal Viton

ELECTRICAL DATA

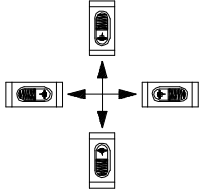
● **BASIC Standard**

No electrical components.

○ **BASIC programme options**

switch head plastic
see description NOK-

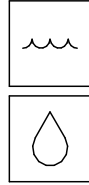
MOUNTING POSITION



Installation position may influence indication range.

Indicate installation position in your order

METERING SUBSTANCES



water



gas/air

NOMENCLATURE

For combinations see table "technical data".

| MH- | 008 | G | A | 002 | | basic type | |
|------------------|-----|---|---|-----|---|---|--------------|
| MH- | | | | | ● | flow indicator | |
| MHK- | | | | | ○ | flow indicator with switch unit plastic | |
| | 008 | | | | ● | nominal diameter | |
| | 010 | | | | ● | | DN 8 - G1/4 |
| | 015 | | | | ● | | DN 10 - G3/8 |
| | 020 | | | | ● | | DN 15 - G1/2 |
| | 025 | | | | ● | | DN 20 - G3/4 |
| | | G | | | ● | DN 25 - G1 | |
| | | | A | | ● | female thread | |
| | | | | 002 | ● | housing aluminium | |
| | | | | 006 | ● | 0.2 - 2 l/min | |
| | | | | 008 | ● | 0.6 - 6 l/min | |
| | | | | 010 | ● | 0.8 - 8 l/min | |
| | | | | 020 | ● | 1 - 10 l/min | |
| | | | | 030 | ● | 2 - 20 l/min | |
| | | | | 040 | ● | 3 - 30 l/min | |
| | | | | 050 | ● | 5 - 40 l/min | |
| | | | | | ○ | 10 - 50 l/min | |
| programme option | | | | | ○ | housing POM | |
| BASIC | | | | | | | |

IMPORTANT FOR YOUR ORDER

- Please indicate flow direction, metering substance and indication range with your order.
- With viscous liquids please viscosity, temperature and metering substance (indication range on request)
- With gaseous media indicate pressure (relative and absolute), temperature and metering substance (indication range on request)

OPTIONS

○ **MHK-** flow indicator with switch unit plastic

reed switch - wiring 0.378 n.o.

300VAC 0.5A 10VA

contact for locking plug M 12x1, 4-pole

protection class 2

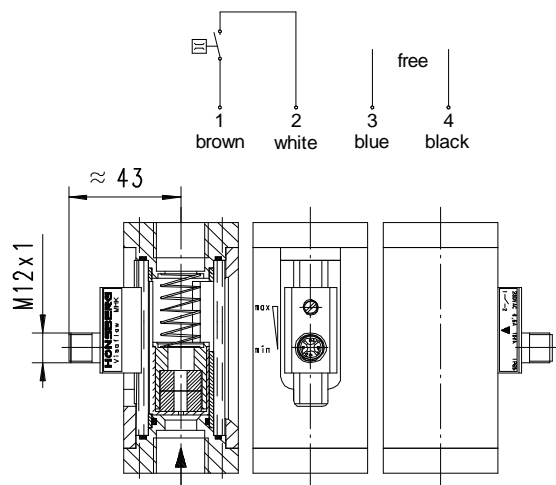
protection class IP 65



| indicating range | adjustable range |
|------------------------|------------------------|
| l/min H ₂ O | l/min H ₂ O |
| 0.2 - 2 | 0.4 - 1.8 |
| 0.6 - 6 | 0.6 - 5.5 |
| 0.8 - 8 | 0.8 - 7.5 |
| 1 - 10 | 1 - 9 |
| 2 - 20 | 2 - 16 |
| 5 - 40 | 5 - 36 |
| 10 - 50 | 10 - 45 |

Switch range is indicated for horizontally decreasing flow.

Additional weight 0.02kg



All technical changes reserved

●BASIC Standard ○BASIC Programme option □VARIO Special option ⊕ PLUS Accessories ✗not recommendable