

GENERAL CHARACTERISTICS

Mechanical Flow Indicator for liquids or gaseous media, with spring-supported piston. Piston is magnetically linked to an indicator element. Rugged design in bronze / brass combination.

- * good repeatability
- * dirt resistance
- * for dark and/or contaminated liquids
- * turnable scale
- * no pressurized or wetted glass parts

Female thread G1/4 to G3 bronze



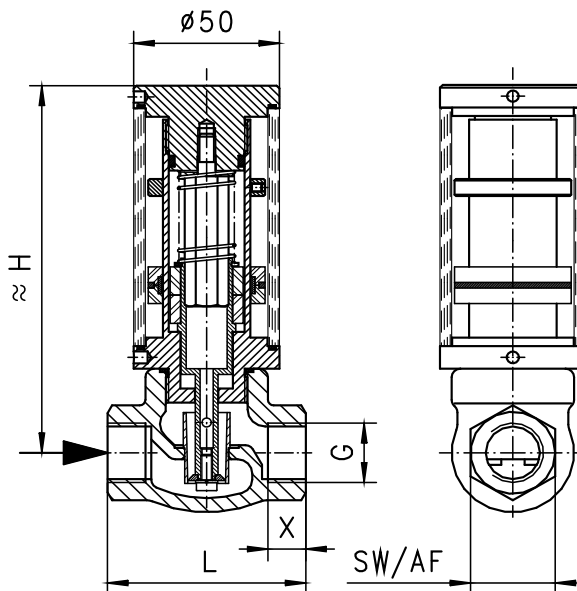
MP-015GR020

TECHNICAL DATA

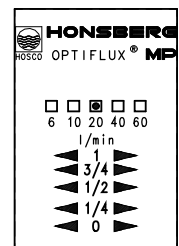
	G	Type	PN bar	Qmax. recom. l/min H ₂ O		indicating range l/min H ₂ O		H mm	L mm	AF mm	X mm	weight kg
						Standard	Programme option					
bronze/brass	G 1/4	MP-008GR...	100	6	10	1.5 - 6	2.5 - 10	130	68	29	12	1.1
	G 3/8	MP-010GR...	100	10		2.5 - 10	1.5 - 6	130	68	29	12	1.1
	G 1/2	MP-015GR...	100	20		5 - 20	1.5 - 6	130	68	29	13	1.1
	G 3/4	MP-020GR...	25	40		10 - 40	2.5 - 10	133	73	32	11	1.2
	G 1	MP-025GR...	25	60		10 - 40	2.5 - 10	136	87	41	12	1.4
	G 1 1/4	MP-032GR...	16	100		20 - 100	12 - 60	150	98	52	13	2.0
	G 1 1/2	MP-040GR150	16	150		30 - 150		154	113	59	14	2.6
	G 2	MP-050GR...	16	250		50 - 250	30 - 150	184	137	72	17	4.2
	G 2 1/2	MP-065GR...	16	400		80 - 400	50 - 250	200	160	85	26	5.6
G 3	MP-080GR...	16	600		120 - 600	80 - 400	200	148	100	23	8.3	

Indicating range is calibrated for vertical upward increasing flow.

tolerance ±10% of full scale
media temperature max. 100°C
average pressure loss 0.7bar at Qmax.



indication scale
1 = 100% = 20l/min



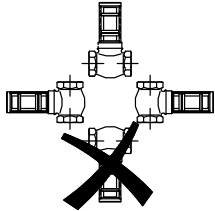
MATERIALS

housing bronze Rg5/Rg6 nickel plated
piston brass Ms58
spring stainless steel 1.4310
piston guide brass Ms58
tube acrylic (XT)

ELECTRICAL DATA

No electrical components

MOUNTING POSITION



Installation position may influence indicating range.

METERING SUBSTANCES



water



gas/air



oil

NOMENCLATURE

For combination see table "technical data"

MP-	008	G	R	006		basic type specification
	008				●	DN 8 - G1/4
	010				●	DN 10 - G3/8
	015				●	DN 15 - G1/2
	020				●	DN 20 - G3/4
	025				●	DN 25 - G1
	032				●	DN 32 - G1 1/4
	040				●	DN 40 - G1 1/2
	050				●	DN 50 - G2
	065				●	DN 65 - G2 1/2
	080				●	DN 80 - G3
		G			●	female thread
			R		●	housing bronze
				006	●/○	1.5 - 6 l/min
				010	●/○	2.5 - 10 l/min
				020	●/○	5 - 20 l/min
				040	●	10 - 40 l/min
				060	○	12 - 60 l/min
				100	●/○	20 - 100 l/min
				150	●/○	30 - 150 l/min
				250	●/○	50 - 250 l/min
				400	●/○	80 - 400 l/min
				600	●	120 - 600 l/min
Programme option BASIC					○	housing stainless steel
Special option VARIO					□	special range special scales

IMPORTANT FOR YOUR ORDER

- Please indicate flow direction, metering substance and indicating range with your order.
- With viscous liquids please indicate viscosity, temperature and metering substance (indicating range on request)
- With gaseous media indicate pressure (relative or absolute), temperature and metering substance (indicating range on request)

All technical changes reserved

IBASIC Standard ○BASIC Programme option □VARIO Special option ⊕ PLUS Accessories

X not recommendable