

GENERAL CHARACTERISTICS

The flow indicator Visoflow NH provides a reliable Indication of liquid, transparent substances. A spring controlled indicator is positioned by the liquid in a metering tube and allows the quantitative indication of the flow rate involved by reference to the flow rate scale of the metering tube. This plastic tube is fitted with a pigeon tail which offers the option of an alarm unit which is adjustable within the scale range of the instrument.

- * turnable scale / visible of piston 360°
- * good repeatability

Female thread G1/2 brass



NH1-015GM015

TECHNICAL DATA

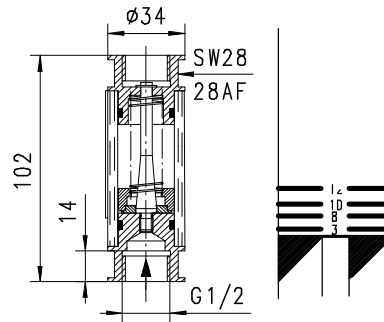
	G	Type	PN bar (20°C)	Qmax. recom. l/min H ₂ O	indicating range l/min H ₂ O	weight kg
brass	G1/2	NH1-015GM015	10	20	3 - 15	0.3

Indicating range is calibrated for vertical upward increasing flow.

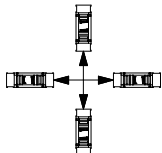
tolerance ±10% of full scale
media temperature max. 65°C

MATERIALS

connector brass Ms58 nickel plated
tube Acryl XT
piston POM
spring 1.4310
seal Viton

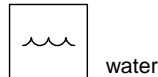


MOUNTING POSITION



Installation position may influence indication range. Indicate installation position in your order

METERING SUBSTANCES



NOMENCLATURE

NH1-	015	G	M	015	basic type specification
NH1-					● flow indicator
NH1K-					● flow indicator with switch unit plastic
	015				● nominal diameter DN 15
		G			● female thread
		A			○ male thread
			M		● connection brass
				015	● indicating range 3 - 15 l/min

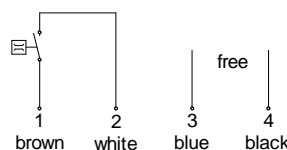
IMPORTANT FOR YOUR ORDER

- Please indicate flow direction, metering substance and indication range with your order.

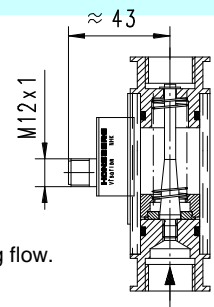
OPTIONS

○ NH1K- flow indicator with switch unit plastic

reed switch - wiring 0.378 n.o.
250 V AC 1 A 50 VA
contact for locking plug M 12x1, 4-pole
protection class 2
protection class IP 65



Switch range is indicated for horizontally decreasing flow. Additional weight 0.02kg



All technical changes reserved

●BASIC Standard ○BASIC Programme option □VARIO Special option ⊕ PLUS Accessories ✗not recommendable