

GENERAL CHARACTERISTICS

Mechanical Flowmeter with spring-supported piston, for liquids or gaseous media. The triggering of the indication ring is realised by means of a magnetic link between the indication ring and wetted piston. Rugged design in brass or stainless steel.

- * local metering
- * also for dark and/or contaminated liquids
- * turnable scale
- * no pressurized or wetted glass parts
- * optional switch head

Female thread G1/4 to G1 brass/stainless steel



NO-015GM030

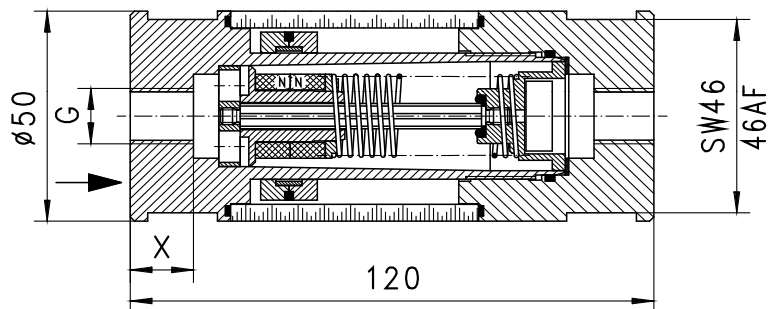
TECHNICAL DATA

	G	Type	PN bar	Qmax. recom. l/min H ₂ O	indicating range l/min H ₂ O	X mm	weight kg
brass	G 1/4	NO-008GM015	50	15	3 - 15	13	1.25
	G 3/8	NO-010GM015	50	15	3 - 15	13	1.20
	G 1/2	NO-015GM030	50	30	5 - 30	15	1.20
	G 3/4	NO-020GM050	50	50	5 - 50	18	1.10
	G 1	NO-025GM060	50	60	10 - 60	18	1.00
stainless steel	G 1/4	NO-008GK015	50	15	3 - 15	13	1.25
	G 3/8	NO-010GK015	50	15	3 - 15	13	1.20
	G 1/2	NO-015GK030	50	30	5 - 30	15	1.20
	G 3/4	NO-020GK050	50	50	5 - 50	18	1.10
	G 1	NO-025GK060	50	60	10 - 60	18	1.00

Indicating range is calibrated for horizontally decreasing flow.

tolerance ±5% of full scale
minimal 1l/min
media temperature max. 90°C
average pressure loss 0.7bar at Qmax.

Avoid instant flushing of instrument beyond max scale increment.
Contact technical sales service!



MATERIALS

	NO-...GM	NO-...GK
housing	brass Ms58 nickel plated	stainless steel 1.4305
piston	brass Ms58	stainless steel 1.4305
spring	stainless steel 1.4310	stainless steel 1.4310
support	PVDF	PVDF
magnet	oxyd 300	oxyd 300
seal	NBR / viton	viton
tube	acrylic (XT)	acrylic (XT)

ELECTRICAL DATA

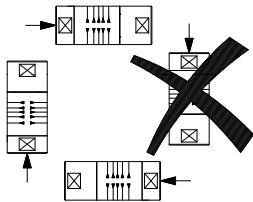
● **BASIC Standard**

No electrical components.

○ **BASIC programme options**

switch head plastic
see description NOK-

MOUNTING POSITION



Installation position may influence indication range.

Indicate installation position in your order

METERING SUBSTANCES



water



gas/air



oil



design stainless steel NO-...GK for aggressive liquids

NOMENCLATURE

For combinations see table "technical data".

NO-	008	G	M	015		basic type	
NO-					●	Flowmeter	
NOK-					○	Flowmeter with switch unit plastic	
	008				●	nominal diameter	
	010				●		DN 8 - G1/4
	015				●		DN 10 - G3/8
	020				●		DN 15 - G1/2
	025				●		DN 20 - G3/4
		G			●	DN 25 - G1	
			M		●	female thread	
			K		●	housing Ms58	
				015	●	housing stainless steel	
				030	●	indicating range H ₂ O	
				050	●		3 - 15 l/min
				060	●		5 - 30 l/min
					●		5 - 50 l/min
					●	10 - 60 l/min	

IMPORTANT FOR YOUR ORDER

- Please indicate flow direction, metering substance and indication range with your order.
- With viscous liquids please viscosity, temperature and metering substance (indication range on request)
- With gaseous media indicate pressure (relative and absolute), temperature and metering substance (indication range on request)

OPTIONS

○ **NOK-** Flowmeter with switch unit plastic

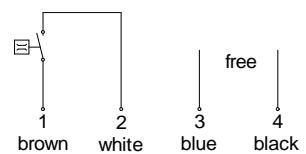
reed switch - wiring diagram 0.212 n.o.

250 V AC 1 A 50 VA

contact for locking plug M 12x1, 4-pole

protection class 2

protection class IP 65

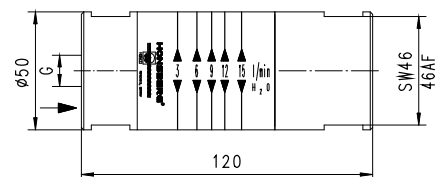


indicating range	adjustable range
l/min H ₂ O	l/min H ₂ O
3- 15	3- 12
5- 30	5- 25
5- 50	5- 40
10- 60	10- 50

Switch range is indicated for horizontally decreasing flow.

Additional weight 0.02kg

- switch unit fixed to pigeon tail
- direct scale reference



All technical changes reserved

●BASIC Standard ○BASIC Programme option □VARIO Special option ⊕ PLUS Accessories

X not recommendable