

GENERAL CHARACTERISTICS

Mechanical Flowmeter for liquids or gaseous media, with magnetic triggering of a metering unit with 270° of pointer range. Rugged design in cast iron.

- * local metering
- * good repeatability
- * dirt-resistant
- * low pressure loss
- * DIN flange housing
- * easy adjustment by indicating pointer



Flange DN 65-200 cast iron



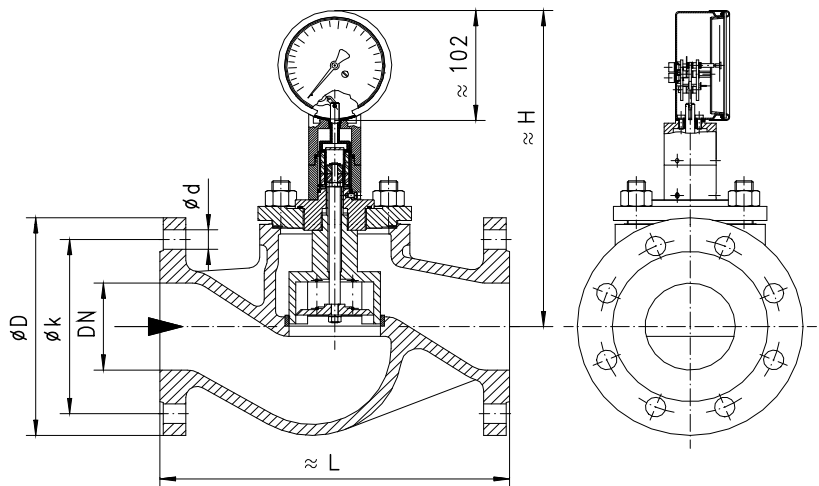
TZ1-065FG250

TECHNICAL DATA

	DN	Type	PN bar	Qmax. rec. l/min H ₂ O	metering range l/min H ₂ O	H mm	L mm	D mm	k mm	d mm	weight kg
cast iron	65	TZ1-065FG250	16	400	50 - 250	276	290	185	145	4x18	14
	80	TZ1-080FG450	16	600	150 - 450	294	310	200	160	8x18	21
	100	TZ1-100FG1000	16	950	300 - 1000	311	350	220	180	8x18	31
	150	TZ1-150FG1800	16	2000	650 - 1800	372	480	285	240	8x22	66
	200	TZ1-200FG4000	16	4000	1500 - 4000	430	600	340	295	12x22	184

Metering range is indicated for horizontally increasing flow.

tolerance ±3% of full scale
 media temperature max. 90°C
 average pressure loss 0.25bar at Qmax.



MATERIALS

housing cast iron GG25
 body brass Ms58
 piston POM glass-fibre enforced
 spring stainless steel 1.4310
 piston sleeve brass Ms58
 seal viton
 klingerite
 magnet bariumferrite

Face-to-face length DIN 3202, series F1
 Flange DIN 2533 PN 16
 Flange dimension DIN 2501 PN 16
 Types of contact faces DIN 2526 Form C

ELECTRICAL DATA

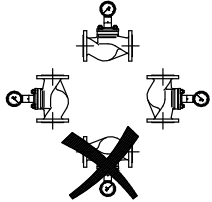
● **BASIC Standard**

No electrical components.

○ **BASIC Programme option**

integrated micro switch
 with front switch units
 see data sheet 1.3.TZ1.ZE

INSTALLATION POSITIONS



Installation position may influence metering range.

METERING SUBSTANCES



water



gas/air



oil

NOMENCLATURE

For combinations see table "technical data".

TZ1-	065	F	G	250	basic type specification	
TZ1-					●	Flowmeter
TZ1M-					○	Flowmeter with integrated micro switch
	065				●	nominal diam
	080				●	
	100				●	
	150				●	
	200				●	
		F			●	flange
			G		●	housing cast iron
				250	●	metering range horizontal
				450	●	
				1000	●	
				1800	●	
				4000	●	
Programme option BASIC					○	front switch unit with 10-kOhm-potentiometer materials brass, cast steel or stainless steel diode
Special option VARIO					□	special range metering range for oil or gas front switch unit 2pol, n.o. or n.c.

IMPORTANT FOR YOUR ORDER

- Please indicate flow direction, metering substance and metering range with your order.
- With viscous liquids please indicate viscosity, temperature and metering substance (metering range on request)
- With gaseous media indicate pressure (relative or absolute), temperature and metering substance (metering range on request)
- For additional information concerning options micro switch and front switch see data sheet 1.3.TZ1.ZE.

All technical changes reserved

IBASIC Standard ○BASIC Programme option □VARIO Special option ⊕ PLUS Accessories

~~X~~ not recommendable