

**GENERAL CHARACTERISTICS**

Mechanical Flowmeter for liquids or gaseous media. With magnetic triggering of a metering unit with 270° of pointer range. Rugged design in stainless steel.

- \* local metering
- \* good repeatability
- \* dirt-resistant
- \* low pressure loss
- \* easy adjustment by indicating pointer



Female thread G1/2 to G2 stainless steel



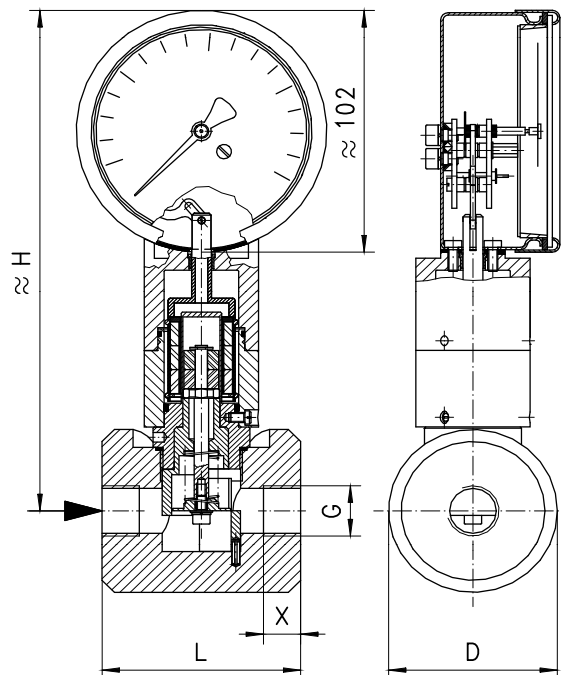
**TZ1-015GK006**

**TECHNICAL DATA**

	G	Type	PN bar	Qmax. rec. l/min H <sub>2</sub> O	metering range l/min H <sub>2</sub> O		H mm	L mm	D mm	X mm	weight kg
stainless steel	G 1/2	TZ1-015GK...	100	20	2 - 6	4 - 20	210	80	68	15	2.9
	G 3/4	TZ1-020GK...	100	40	4 - 20	5 - 40	210	80	68	16	2.8
	G 1	TZ1-025GK060	100	60		10 - 60	210	80	68	18	2.7
	G 1 1/4	TZ1-032GK100	100	100		10 - 100	210	95	78	24	3.4
	G 1 1/2	TZ1-040GK150	100	150		10 - 150	223	105	88	25	3.8
	G 2	TZ1-050GK250	100	250		20 - 250	225	120	102	27	5.1

Metering range is indicated for horizontally increasing flow.

tolerance ±3% of full scale  
 media temperature max. 90°C  
 average pressure loss 0.25bar at Qmax.



**MATERIALS**

housing stainless steel 1.4305  
 piston/disc stainless steel 1.4571  
 spring stainless steel 1.4310  
 piston sleeve stainless steel 1.4571  
 magnet bariumferrite (PTFE plated)  
 seal viton

**ELECTRICAL DATA**

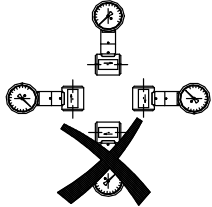
● **BASIC Standard**

No electrical components.

○ **BASIC Programme option**

integrated micro switch  
with front switch units  
see data sheet 1.3.TZ1.ZE

**INSTALLATION POSITIONS**



Installation position may influence metering range.

**METERING SUBSTANCES**



water



gas/air



oil



aggressive liquids

**NOMENCLATURE**

For combinations see table "technical data".

TZ1-	015	G	K	006		basic type specification	
TZ1-					●	Flowmeter	
TZ1M-					○	Flowmeter with integrated micro switch	
	015				●	nominal □ dia	
	020				●		DN 15 - G1/2
	025				●		DN 20 - G3/4
	032				●		DN 25 - G1
	040				●		DN 32 - G1 1/4
	050				●		DN 40 - G1 1/2
		G			●	DN 50 - G2	
			K		●	female thread	
				006	●	housing stainless steel	
				020	●	metering range H <sub>2</sub> O horizontal	
				040	●		2 - 6 l/min
				060	●		4 - 20 l/min
				100	●		5 - 40 l/min
				150	●		10 - 60 l/min
				250	●		10 - 100 l/min
Programme option					○	10 - 150 l/min	
BASIC						20 - 250 l/min	
Special option					□	front switch unit with 10-kOhm-potentiometer diode	
VARIO						special range	
						metering range for oil or gas	
						front switch unit 2pol, n.o. or n.c.	

**IMPORTANT FOR YOUR ORDER**

- Please indicate flow direction, metering substance and metering range with your order.
- With viscous liquids please indicate viscosity, temperature and metering substance (metering range on request)
- With gaseous media indicate pressure (relative or absolute), temperature and metering substance (metering range on request)
- For additional information concerning options micro switch and front switch see data sheet 1.3.TZ1.ZE.

All technical changes reserved

●BASIC Standard ○BASIC Programme option □VARIO Special option ⊕ PLUS Accessories

~~X~~ not recommendable