

GENERAL CHARACTERISTICS

Flowmeter operates according to the variable area principle with a ball float moving flow-dependently in a conical metering tube.

- * turnable magnifying glass optimizes reading comfort
- * glass tube

Female thread NPT1/8" stainless steel



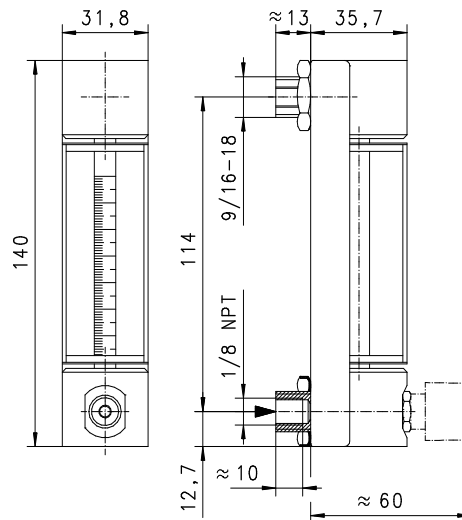
TECHNICAL DATA

GR-065AK0005G

	NPT	Type	PN bar	metering range air Ncm ³ /min	metering range water cm ³ /min	weight kg
float glass	NPT 1/8"	GR-065GK0005G	10	2 - 51		0.5
		GR-065GK0010G	10	5 - 103		
		GR-065GK0040G	10	20 - 400		
		GR-065GK0090G	10	20 - 900	0.2 - 18.2	
		GR-065GK0258G	10	100 - 2580	2 - 55	
		GR-065GK0393G	10	100 - 3930	2 - 90	
		GR-065GK0600G	10	100 - 6000	2 - 130	
		GR-065GK1010G	10	150 - 10100	3 - 235	
		GR-065GK1575G	10	800 - 15750	10 - 375	
		GR-065GK2500G	10	700 - 23640	10 - 570	
float stainless steel	NPT 1/8"	GR-065GK0015K	10	5 - 153		0.5
		GR-065GK0029K	10	10 - 298		
		GR-065GK0085K	10	40 - 855	0.9 - 21	
		GR-065GK0180K	10	50 - 1800	1 - 50	
		GR-065GK0503K	10	277 - 5030	3.27 - 144	
		GR-065GK0751K	10	300 - 7510	5 - 220	
		GR-065GK1145K	10	250 - 11450	5 - 335	
		GR-065GK1896K	10	400 - 18960	10 - 560	
		GR-065GK2940K	10	2000 - 29400	40 - 880	
		GR-065GK4334K	10	2000 - 43340	50 - 1305	

Scale in mm-increments. Conversion diagram mm/flowrate subject of to delivery.

tolerance ±5% off full scale
media temperature max. 90°C



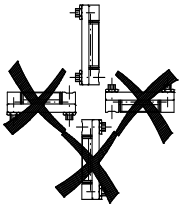
MATERIALS

metering tube natural glass
float glass or stainless steel
connector stainless steel
seal viton

ELECTRICAL DATA

No electrical components.

MOUNTING POSITION



METERING SUBSTANCES



water



gas/air

NOMENCLATURE

For combinations see table "technical data".

GR-	065	G	K	0005	G	basic type specification
GR-						● Flowmeter
GRV-						● Flowmeter with valve
	065					● scale length 65mm
		G				● female thread
			K			● stainless steel
			A			○ aluminium
			M			○ brass
				0005		● 2 - 51 Ncm ³ /min air
				0010		● 5 - 103 Ncm ³ /min air
				0015		● 5 - 153 Ncm ³ /min air
				0029		● 10 - 298 Ncm ³ /min air
				0040		● 20 - 400 Ncm ³ /min air
				0085		● 40 - 855 Ncm ³ /min air
				0090		● 20 - 900 Ncm ³ /min air
				0180		● 50 - 1800 Ncm ³ /min air
				0258		● 100 - 2580 Ncm ³ /min air
				0393		● 100 - 3930 Ncm ³ /min air
				0503		● 277 - 5030 Ncm ³ /min air
				0600		● 100 - 6000 Ncm ³ /min air
				0751		● 300 - 7510 Ncm ³ /min air
				1010		● 150 - 10100 Ncm ³ /min air
				1145		● 250 - 11450 Ncm ³ /min air
				1575		● 800 - 15750 Ncm ³ /min air
				1896		● 400 - 18960 Ncm ³ /min air
				2364		● 700 - 23640 Ncm ³ /min air
				2940		● 2000 - 29400 Ncm ³ /min air
				4334		● 2000 - 43340 Ncm ³ /min air
					G	● glass float
					K	● stainless steel float
Special option						□ scale with direct range reading
VARIO						float sapphire, tantalum or carbon
						precision valve

IMPORTANT FOR YOUR ORDER

- With gaseous media indicate pressure (relative or absolute), temperature and metering substance, e.g. air, (metering range on request)

SPECIAL APPLICATION



GR-150
Design with scale length 150mm
ranges on request

All technical changes reserved

●BASIC Standard ○BASIC Programme option □VARIO Special option ⊕ PLUS Accessories ✗ not recommendable