

GENERAL CHARACTERISTICS

Flowmeter operates according to the variable area principle with a ball float moving flow-dependently in a conical metering tube.

- * full face scale print
- * optional adjustment valve

Female thread NPT1/8" brass/stainless steel

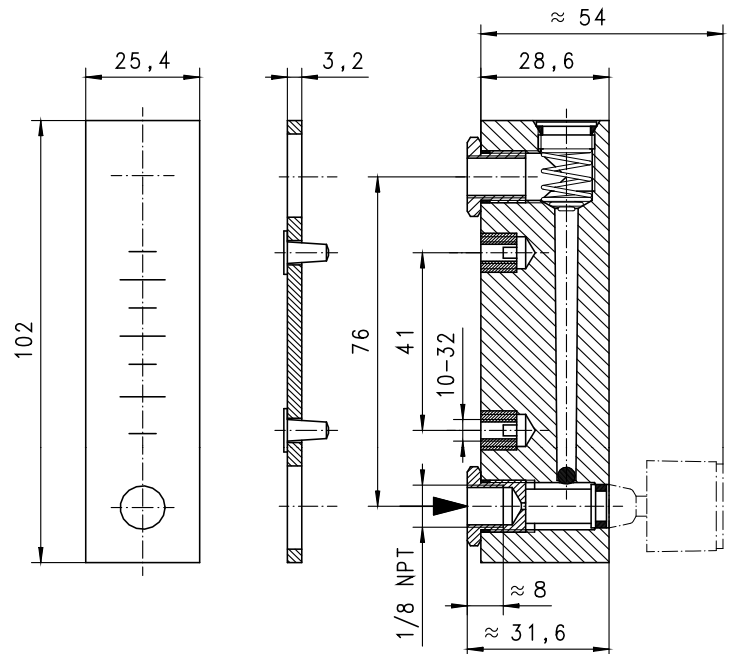


UKV-020GML0005

TECHNICAL DATA

	NPT	Type	PN bar	Qmax. recom.	metering range	weight kg
H ₂ O	NPT 1/8"	UK.-020G.W0050	6	6 l/min	5 - 50 cm ³ /min	0.13
		UK.-020G.W0100	6	6 l/min	10 - 100 cm ³ /min	
		UK.-020G.W0240	6	6 l/min	20 - 240 cm ³ /min	
		UK.-020G.W0003	6	6 l/min	0.2 - 3 l/h	
		UK.-020G.W0006	6	6 l/min	0.5 - 6 l/h	
		UK.-020G.W0015	6	6 l/min	1 - 15 l/h	
		UK.-020G.W0040	6	6 l/min	4 - 40 l/h	
		UK.-020G.W0080	6	6 l/min	10 - 80 l/h	
air	NPT 1/8"	UK.-020G.L0000	6	0.7 NI/min	0.04 - 0,5 NI/min	0.13
		UK.-020G.L0001	6	1.2 NI/min	0.1 - 1 NI/min	
		UK.-020G.L0005	6	6.0 NI/min	0.4 - 5 NI/min	
		UK.-020G.L0025	6	30.0 NI/min	2 - 25 NI/min	

tolerance ±5% of full scale
media temperature max. 65°C



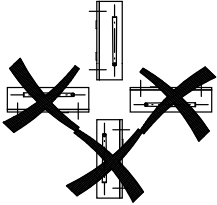
MATERIALS

	UK-020GM	UK-020GK
housing	acrylic	acrylic
float	glass/stainless steel	glass/stainless steel
buffers	stainless steel	stainless steel
connectors	brass	stainless steel
seal	NBR	viton
valve	brass/NBR	stainless steel/viton

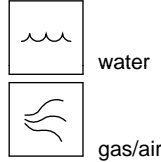
ELECTRICAL DATA

No electrical components.

MOUNTING POSITION



METERING SUBSTANCES



NOMENCLATURE

For combinations see table "technical data".

UK-	020	G	M	W0050		basic type
UK-					●	Flowmeter
UKV-					●	Flowmeter with valve
	020				●	instrument series 020 , NPT 1/8"
		G			●	female thread
			M		●	brass
			K		●	stainless steel
				W0050	●	5 - 50 cm ³ /min
				W0100	●	10 - 100 cm ³ /min
				W0240	●	20 - 240 cm ³ /min
				W0003	●	0.2 - 3 l/h
				W0006	●	0.5 - 6 l/h
				W0015	●	1 - 15 l/h
				W0040	●	4 - 40 l/h
				W0080	●	10 - 80 l/h
				L0000	●	0.04 - 0.5 NI/min
				L0001	●	0.1 - 1 NI/min
				L0005	●	0.4 - 5 NI/min
				L0025	●	2.0 - 25 NI/min
Special option					□	seal Viton
VARIO						special scales

IMPORTANT FOR YOUR ORDER

- With gaseous media indicate pressure (relative or absolute), temperature and metering substance, e.g. air (metering range on request)

All technical changes reserved

IBASIC Standard ○BASIC Programme option □VARIO Special option ⊕ PLUS Accessories

~~X~~ not recommendable