

GENERAL CHARACTERISTICS

Flowmeter operates according to variable area principle with a cylindrical float moving flow-dependently in a conical metering tube.

- * dual scale LPM and LPH
- * full face scale print

female thread NPT1/2" PVC

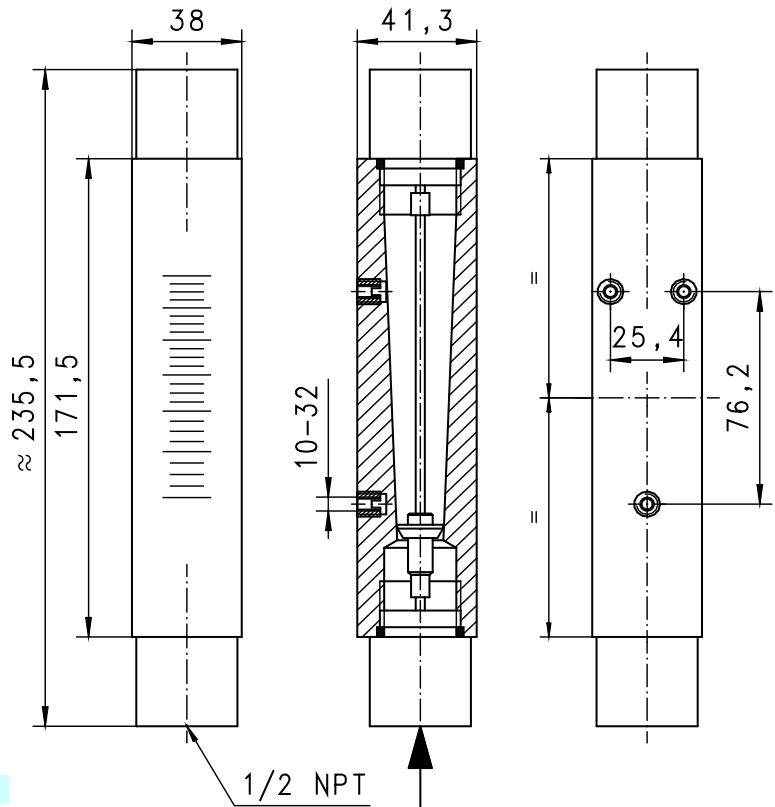


UK-047GHL0070

TECHNICAL DATA

	NPT	Type	PN bar	metering range dual scale LPM and LPH			weight kg
H ₂ O	NPT 1/2"	UK-047GHW0010	6	2 - 10 l/min	120 - 600 l/h	0.35	
		UK-047GHW0020	6	2 - 20 l/min	120 - 1200 l/h		
		UK-047GHW0040	6	4 - 40 l/min	240 - 2400 l/h		
air	NPT 1/2"	UK-047GHL0034	6	80 - 340 NI/min	4800 - 20400 NI/h	0.35	
		UK-047GHL0070	6	100 - 700 NI/min	6000 - 42000 NI/h		
		UK-047GHL0150	6	150 - 1500 NI/min	9000 - 90000 NI/h		

tolerance ±3% of full scale
 media temperature max. 65°C



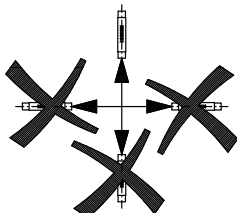
MATERIALS

- housing acrylic
- float aluminum / stainless steel
- connectors PVC
- seal NBR

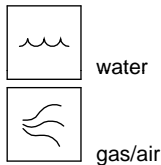
ELECTRICAL DATA

No electrical components.

MOUNTING POSITION



METERING SUBSTANCES



NOMENCLATURE

For combinations see table "technical data".

UK-	047	G	H	W0010		basic type	
UK-					●	specification	
	047				●	Flowmeter	
		G			●	instrument series 047 , female thread NPT 1/2"	
			H		●	female thread	
				W0010	●	PVC	
				W0020	●	metering range	
				W0040	●		2 - 10 l/min water 120 - 600 l/h water
				L0034	●		2 - 20 l/min water 120 - 1200 l/h water
				L0070	●		3 - 40 l/min water 240 - 2400 l/h water
				L0150	●		80 - 340 NI/min air 4800 - 20400 NI/h air
					●	100 - 700 NI/min air 3600 - 36000 NI/h air	
					●	150 - 1500 NI/min air 2000 - 72000 NI/h air	
Special option					□	seal Viton	
VARIO						special scales	

IMPORTANT FOR YOUR ORDER

- With gaseous media indicate pressure (relative or absolute), temperature and metering substance, e.g. air (metering range on request)

All technical changes reserved

IBASIC Standard ○BASIC Programme option □VARIO Special option ⊕ PLUS Accessories

X not recommendable