

GENERAL CHARACTERISTICS

Flowmeter operates according to variable area principle with a cylindrical float moving flow-dependently in a conical metering tube.

- * full face scale print
- * optional adjustment valve

Female thread NPT 1" PVC

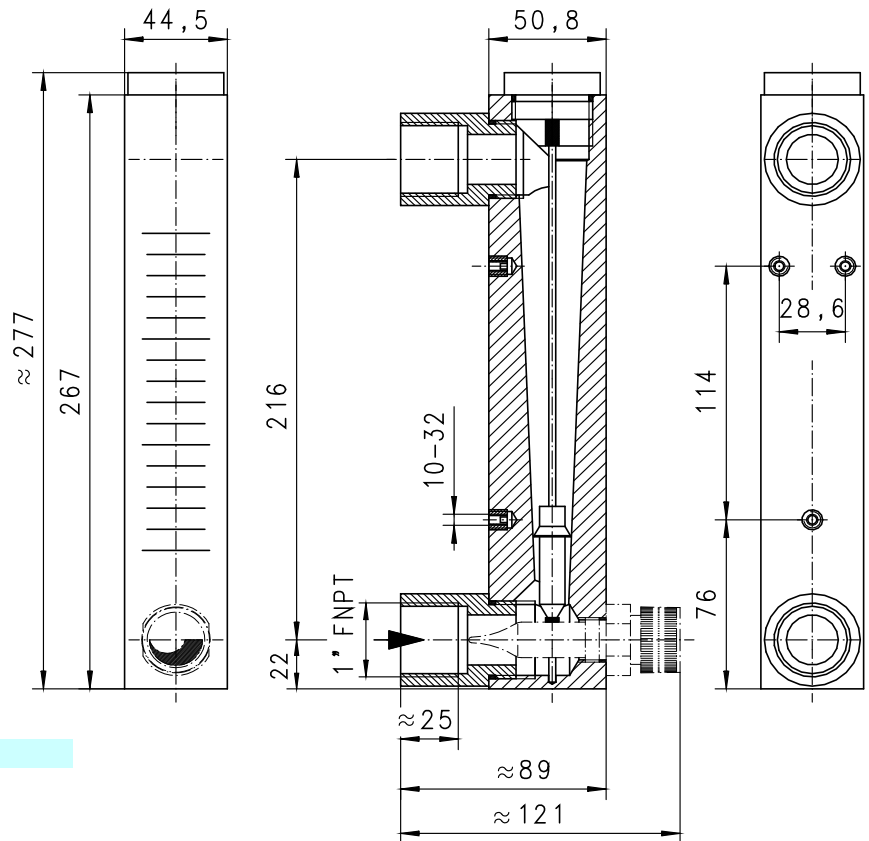


UKV-050GHW0036

TECHNICAL DATA

	NPT	Type	PN bar	Qmax.recom.	metering range	weight kg
H ₂ O	NPT 1"	UK.-050GHW0019	6	21 l/min	1 - 19 l/min	0.8
		UK.-050GHW0036	6	44 l/min	4 - 36 l/min	
		UK.-050GHW0075	6	90 l/min	5 - 75 l/min	
air	NPT 1"	UK.-050GHL0700	6	850 NI/min	100 - 700 NI/min	0.8
		UK.-050GHL1400	6	1700 NI/min	100 - 1400 NI/min	
		UK.-050GHL3000	6	4000 NI/min	400 - 3000 NI/min	

tolerance ±2% of full scale
 media temperature max. 65°C



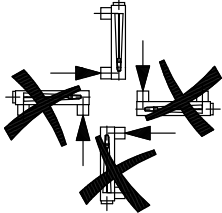
MATERIALS

housing	acrylic
float	stainless steel
buffers	stainless steel
connectors	PVC
seal	NBR

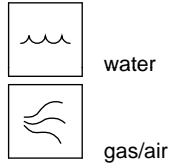
ELECTRICAL DATA

No electrical components.

MOUNTING POSITION



METERING SUBSTANCES



water

gas/air

NOMENCLATURE

For combinations see table "technical data".

UK-	050	G	H	W0019			basic type	
UK-					●		Flowmeter	
UKV-					●		Flowmeter with valve	
	050				●		instrument series 050 , NPT 1"	
		G			●		female thread	
			H		●		PVC	
				W0019	●	metering range	H ₂ O	1 - 19 l/min
				W0036	●			4 - 36 l/min
				W0075	●			5 - 75 l/min
				L0700	●		air	100 - 700 NI/min
				L1400	●			100 - 1400 NI/min
				L3000	●	400 - 3000 NI/min		
Social option VARIO					<input type="checkbox"/>			seal viton special scales

IMPORTANT FOR YOUR ORDER

- With gaseous media indicate pressure (relative or absolute), temperature and metering substance, e.g. air (metering range on request)

All technical changes reserved

IBASIC Standard ○BASIC Programme option □VARIO Special option ⊕ PLUS Accessories

X not recommendable