

**GENERAL CHARACTERISTICS**

Mechanical Flow Switch for liquids or gaseous media. A bellow-supported paddle activates an adjustable micro switch. Rugged design in brass or stainless steel.

- \* operational range a diameter 25-150
- \* good repeatability
- \* low pressure loss

Male thread R1" brass/stainless steel



CRE-025HM



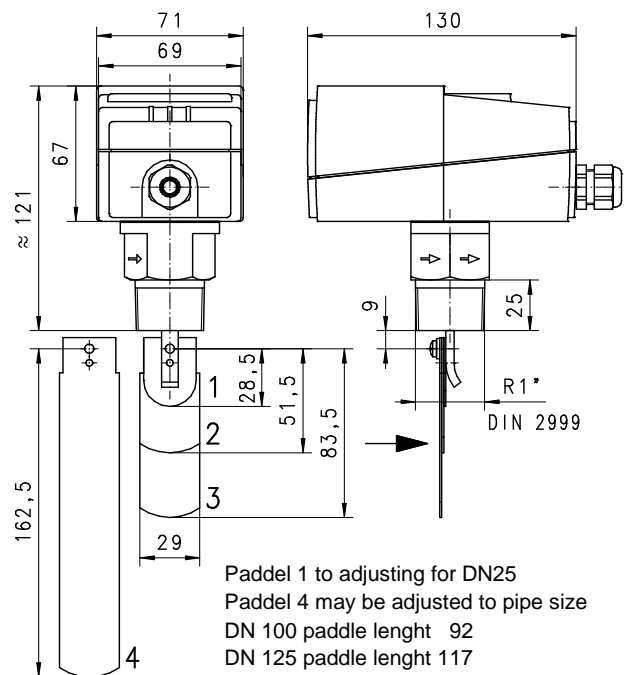
**TECHNICAL DATA**

DN	Qmax. recom. m³/h H₂O	adjustable range m³/h H₂O	adjustable range reduced m³/h H₂O	paddle
25	3.6	0.55 - 2.0	0.19 - 1.0	1
32	6	0.82 - 2.8	0.24 - 1.4	1
40	9	1.1 - 3.7	0.5 - 1.9	1
50	15	2.1 - 7.3	0.9 - 3.6	1,2
65	24	2.8 - 9.8	1.2 - 4.9	1,2
80	36	4.0 - 13.8	2.1 - 7.4	1,2,3
100	60	10.4 - 32.0	4.9 - 17.1	1,2,3
	60	7.0 - 21.7	3.3 - 11.6	1,2,3,4
125	90	20.8 - 63.5	9.7 - 34.0	1,2,3
	90	10.7 - 33.3	5.0 - 17.5	1,2,3,4
150	120	29.2 - 89.1	13.6 - 47.6	1,2,3
	120	13.1 - 39.9	6.1 - 21.4	1,2,3,4

Adjustable range is indicated for horizontally decreasing flow.

pressure	CRE-025HMS	8 bar
	CRE-025HMSR	5 bar
	CRE-025HKS	11 bar
	CRE-025HKS R	5 bar
media temperature	max. 120°C	
ambient temperature	-40..+85°C	
average pressure loss	0.08bar at Qmax.	
hysteresis	depending on switch value minimum 0.1 l/min.	
weight	CRE-025HM	0.95kg
	CRE-025HK	1.15kg

Attention! Paddle fixation not secured.  
With critical conditions (i.e. vibration) please protect paddle screws.



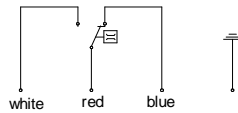
Paddel 1 to adjusting for DN25  
Paddel 4 may be adjusted to pipe size  
DN 100 paddle lenght 92  
DN 125 paddle lenght 117  
DN 150 paddle lenght 143  
from DN 175 original paddle lenght

**MATERIALS**

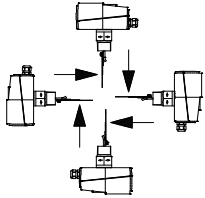
	CRE-025HM	CRE-025HK
housing	brass Ms58	stainless steel 1.4571
paddle	stainless steel 1.4571	stainless steel 1.4571
bellow	tombak	stainless steel 1.4571
cap	ABS	ABS

**ELECTRICAL DATA**

micro switch - wiring 0.374 change over  
250 V AC 15(8) A  
cable gland Pg11 or M16x1,5  
protection class IP 65



**MOUNTING POSITION**



Installation position may influence switch value.

**METERING SUBSTANCES**



water



oil



design stainless steel CRE-025HK for aggressive liquids

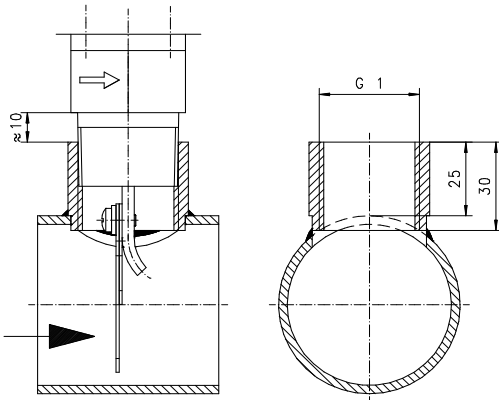
**NOMENCLATURE**

<b>CRE-</b>	<b>025</b>	<b>H</b>	<b>M</b>	<b>S</b>	<b>R</b>	<ul style="list-style-type: none"> <li>● basic type</li> <li>● specification</li> <li>● connection thread DN25 - R1"</li> <li>● socket thread</li> <li>● brass design</li> <li>● stainless steel design</li> <li>● cable gland at the side</li> <li>○ reduced adjustable range</li> <li>○ TÜV-approval CRE-025HMS / CRE-025HKS TÜV.SW.09-28</li> <li>○ CRE-025HMSR / CRE-025HKSR TÜV.SW.09-29</li> <li>□ gold contacts 125 V AC / 1 A adjustment</li> </ul>
	025					
		H				
			M			
			K			
				S		
					R	
Programme option						
BASIC						
Special option						
VARIO						

**IMPORTANT FOR YOUR ORDER**

- Please indicate flow direction, metering substance and adjustable range with your order.
- With viscous liquids please indicate viscosity, temperature and metering substance (adjustable range on request)

**INSTALLATION RECOMMENDATIONS**



tube DIN 2448 standard wall thickness

All technical changes reserved

●BASIC Standard ○BASIC Programme option □VARIO Special option ⊕ PLUS Accessories ✗ not recommendable