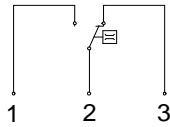




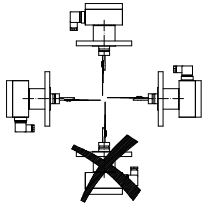
**ELECTRICAL DATA**

Micro switch with "combination contact" gold coating for small currents and silver coating for larger currents wiring 0.371 change over plug DIN 43650-A protection class IP 65



		A max. resistive	A max. inductive		A min.
max.	250V AC/DC	6A	1,5A	min.	4V
	125V AC/DC	6A	2A		1mA
	24V DC	6A	5A		
	12V DC	6A	6A		

**MOUNTING POSITION**



Installation position may influence switch value.

**METERING SUBSTANCES**



water



design stainless steel for aggressive liquids



oil

**NOMENCLATURE**

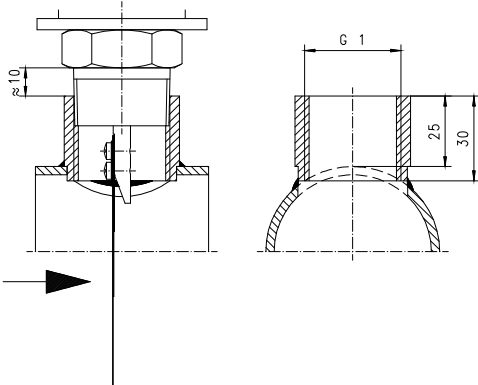
<b>UB1-</b>	<b>025H</b>	<b>M</b>	<b>basic type specification</b>
	025H		● male thread DN25 - R1"
	032E		● socket flange DN32
		M	● brass design
		K	● stainless steel design
Programme option BASIC			○ TÜV-approval 0000021402 contact for locking plug M12x1, 4-pole protection class IP 67 opaque cover

**IMPORTANT FOR YOUR ORDER**

- Please indicate flow direction, metering substance and adjustable range with your order.
- With viscous liquids please indicate viscosity, temperature and metering substance (adjustable range on request)

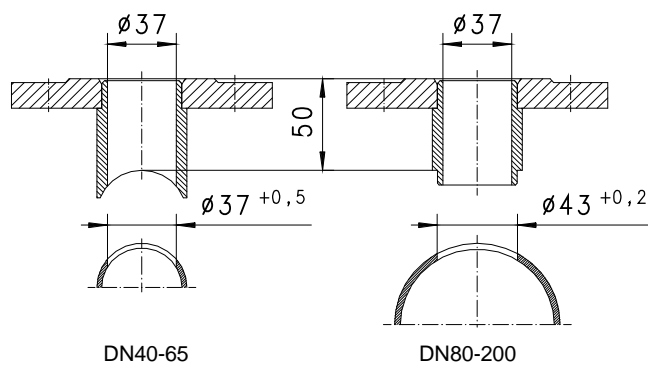
**INSTALLATION RECOMMENDATIONS**

Male thread design



tube DIN 2448 standard wall thickness

Socket flange design



tube DIN 2448 standard wall thickness

**ACCESSORIES**

The socket flanges as indicated in the installation recommendations are available in the Honsberg accessory range See product information 71.1 FL.



All technical changes reserved

●BASIC Standard ○BASIC Programme option □VARIO Special option ⊕ PLUS Accessories ✗not recommendable