

**GENERAL CHARACTERISTICS**

Instruments operate with a bellow-supported paddle blade and a triggering of a micro switch.

- \* good repeatability
- \* for air and gasses only

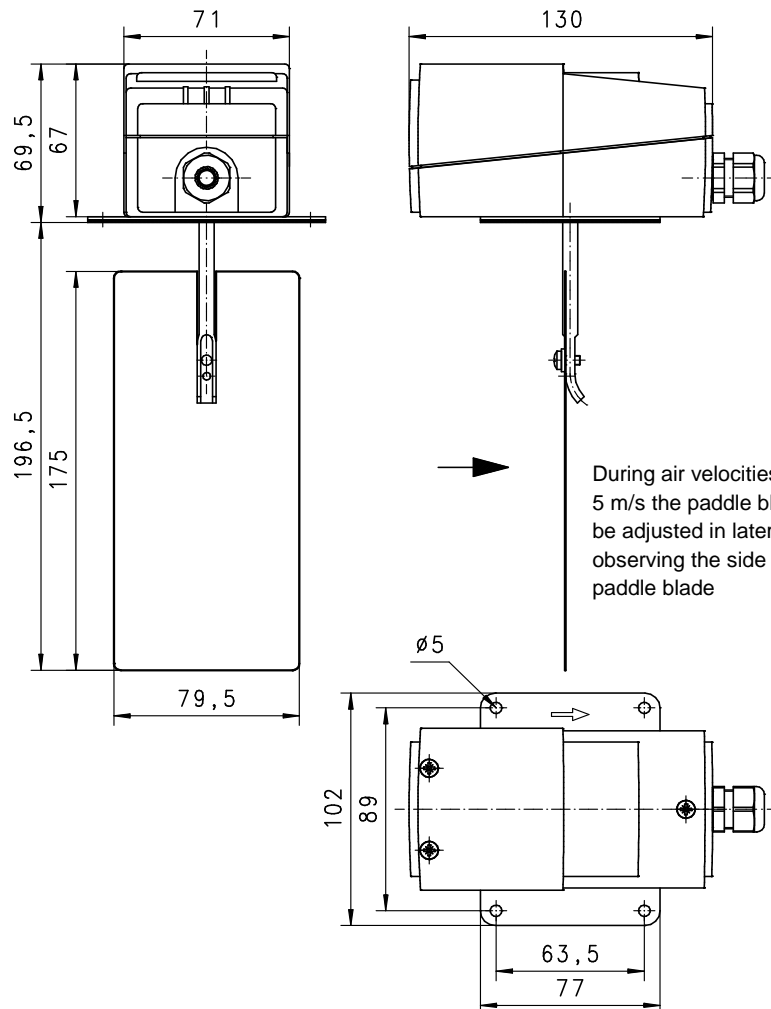
Basic plate steel



YR-000FS

**TECHNICAL DATA**

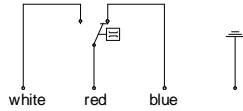
|                   |           |
|-------------------|-----------|
| adjustable range  | 1-8 m/s   |
| media temperature | max. 85°C |
| hysteresis        | 1-1.2 m/s |
| weight            | 0.5 kg    |


**MATERIALS**

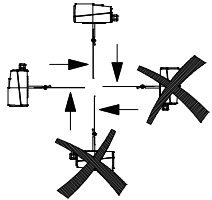
|              |                                     |
|--------------|-------------------------------------|
| basic plate  | steel zinc coating                  |
| paddle comp. | stainless steel 1.4571 / brass Ms58 |
| bellow       | tombak                              |
| seal         | enforced paper ( Statite )          |
| cap          | ABS                                 |

**ELECTRICAL DATA**

micro switch - wiring 0.374 change over  
250 V AC 15(8) A  
cable gland Pg11  
protection class IP 65



**MOUNTING POSITION**



Installation position may influence switch value.

**METERING SUBSTANCES**



**NOMENCLATURE**

|            |            |          |          |                                  |
|------------|------------|----------|----------|----------------------------------|
| <b>YR-</b> | <b>000</b> | <b>F</b> | <b>S</b> | <b>basic type</b>                |
|            | 000        |          |          | <b>specification</b>             |
|            |            | F        |          | ● independent of diameter        |
|            |            |          | S        | ● fixing by basic plate          |
|            |            |          |          | ● basic plate steel zinc coating |

**INFORMATION**

It is fitted to a wall of the channel and work in optional position. The Fluvatest YR-000FS vane switch is set a air- or gas-velocity of 2 m/s (switch-in point) and 1 m/s (switch-out point) if fitted to horizontal channels. For the use in vertical channels the switch value has to be corrected to compensate the weight of the paddle. For resetting the adjustable screw under the cap should be turned clockwise for increasing or counter clockwise for decreasing the volume at switch value. For higher velocities than 5 m/s the paddle has be cut at the marked line. By this operation the setting range is widened to 3.5 - 9.2 m/s (switch-in point) and 2.5 - 8 m/s (switch-out point).

All technical changes reserved

●BASIC Standard ○BASIC Programme option □VARIO Special option ⊕ PLUS Accessories ✗ not recommendable