

GENERAL CHARACTERISTICS

Mechanical Flow Indicator for liquids for quantitative flow indication. The rotor, which is arranged in a dome for good visibility, provides a directly flow- proportional indication of the actual flow rate. Rugged design in bronze/brass or stainless steel.

- * good rotor sight
- * high temperature duty
- * dome-shaped

Female thread G1/4 to G1 bronze / stainless steel



RM-015GK

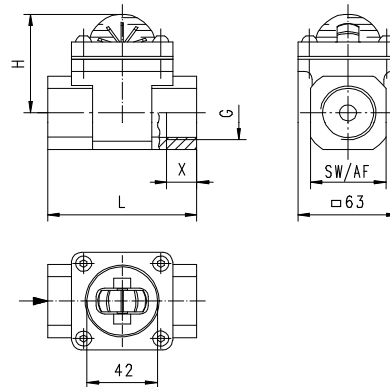
TECHNICAL DATA

	G	Type	PN bar	Qmax. recom. l/min H ₂ O	start of rotor l/min H ₂ O	pressure loss at Qmax.	L mm	H mm	SW mm	X mm	weight kg
bronze / s.s.	G 1/4	RM-008G.	16	8	0.7	0.20	76	53	28	12	0.70
	G 3/8	RM-010G.	16	10	0.8	0.15	76	53	28	16	0.65
	G 1/2	RM-015G.	16	20	1.0	0.40	76	53	28	14	0.65
	G 3/4	RM-020G.	16	40	1.2	0.25	89	66	45	18	1.25
	G 1	RM-025G.	16	60	1.5	0.70	89	66	45	18	1.20

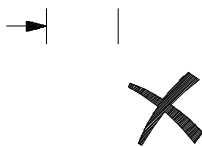
media temperature max. 100°C

MATERIALS

	RM-...GR	RM-...GK
body	bronze	stainless steel
ring	brass	stainless steel
dome	borosilikate	borosilikate
shaft	stainless steel	stainless steel
rotor	PPS	PPS
seal	Klingersil C-4400	Klingersil C-4400



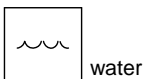
MOUNTING POSITION



NOMENCLATURE

RM-	008	G	R	nominal diameter	basic type specification
	008		●		DN 8 - G1/4
	010		●	DN 10 - G3/8	
	015		●	DN 15 - G1/2	
	020		●	DN 20 - G3/4	
	025		●	DN 25 - G1	
		G	●		female thread
			R	●	bronze
			K	○	stainless steel

METERING SUBSTANCES



With higher viscosity instruments tend to higher starting values for rotor.

ERROR: undefined
OFFENDING COMMAND: -2147483648.-2147483648

STACK:

-mark-