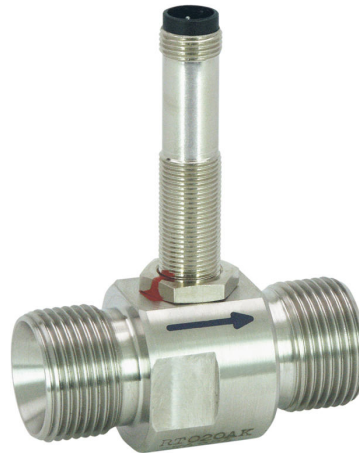


GENERAL CHARACTERISTICS

In a full stainless steel enclosure a stainless steel turbine arranged in sapphire cups provides flow-proportional revolutions which are detected by a biased Hall sensor.

- * high accuracy
- * no magnetic parts in the wetted chamber
- * high pressure duty

Male thread G1/2A to G2A stainless steel



RT-020AK004P

TECHNICAL DATA

Type	PN	metering range (1..5 mm ² /s)		pulses/ litre ±10%	G	H mm	L mm	X mm	weight kg
		l/min	m ³ /h						
RT-015AK001.	250	1.8 - 18	0.11 - 1.1	2900	G 1/2 A	71	64	19	0.30
RT-020AK002.	250	3.7 - 37	0.22 - 2.2	1700	G 3/4 A	74	64	19	0.40
RT-020AK004.	250	6.7 - 67	0.40 - 4.0	1100	G 3/4 A	74	64	19	0.40
RT-020AK008.	250	13.3 - 133	0.80 - 8.0	400	G 3/4 A	74	83	22	0.40
RT-025AK016.	250	26.7 - 267	1.60 - 16.0	190	G 1 A	78	88	23	0.60
RT-040AK034.	250	56.7 - 567	3.40 - 34.0	60	G 1 1/2 A	84	114	28	1.40
RT-050AK068.	250	113.3 - 1133	6.80 - 68.0	24	G 2 A	89	132	29	1.90

tolerance ±1% of full scale
 <10 to 100 % of metering range
 including linearity and repeatability

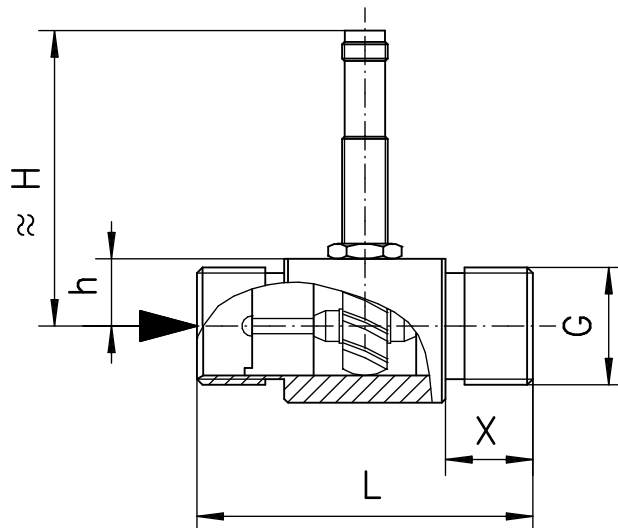
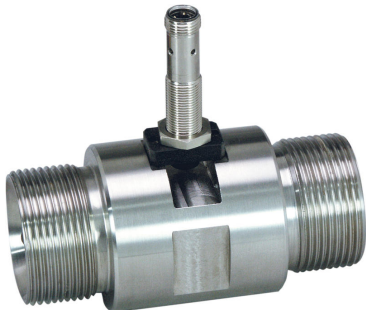
medium temperature max. 85 °C

tolerated particles 0.5 mm

average pressure loss 0.3 bar at Qmax.

OPTION

medium temperature 150 °C compatible to all
Honsberg-electronics sensors or electronic heads



MATERIALS

housing stainless steel

turbine stainless steel

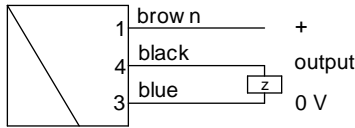
bearings Wolfram-Carbide (Tungsten)

ball bearings stainless steel

ELECTRICAL DATA

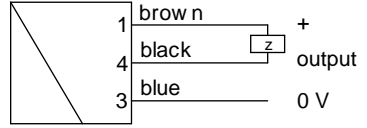
Hall sensor, biased
voltage range 10-30 V DC
current consumption 20 mA without load
max. load 100 mA
connector for locking plug M12x1, 4-pole
protection class IP 67

wiring 0.319
PNP

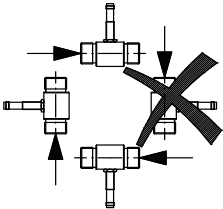


z=load

NPN



MOUNTING POSITION



10 x diam. as smoothing section on inlet and outlet

METERING SUBSTANCES



water



aggressive liquids



oil up to 5mm²/s

NOMENCLATURE

For combinations see table "technical data".

RT-	015	A	K	001	P		basic type specification
	015				●	nominal \square di	DN 15 - G1/2A
	020				●		DN 20 - G3/4A
	025				●		DN 25 - G1A
	040				●		DN 40 - G1 1/2A
	050				●		DN 50 - G2A
		A			●		male thread
			K		●	stainless steel design	
				001	●	metering range (1-5mm ² /s)	0.11 - 1.1 m ³ /h
				002	●		0.22 - 2.2 m ³ /h
				004	●		0.40 - 4.0 m ³ /h
				008	●		0.80 - 8.0 m ³ /h
				016	●		1.60 - 16.0 m ³ /h
				034	●		3.40 - 34.0 m ³ /h
				068	●		6.80 - 68.0 m ³ /h
					P ●	PNP	
					N ●	NPN	
					E ●	output by local electronics (e.g. omni-RT, Flex-RT or EFF.)	
Programme option					○	flange design	
BASIC						temperature max. 120 °C (NPN)	
Special option					□	DN 80-300 PN16	
VARIO						design for air/gas range from 0.05 m ³ /h	
Accessories					⊕	EX amplifier EEV1 product information 80.1.EEV1. Counter EEZ904 product information 83.1.EEZ904.	

special applications: Switching output, frequency converter, current output and omni/flex processor

COMBINATIONS

omni-RT

local electronic unit,
2xNPN and PNP switch
4(0)..20mA output
graphical LCD display
with flashing LED
program ring



other transformers

- Flex switching and frequency output (push-pull), 0..10V or 4..20mA
- ESA1 electronic monitoring unit
- ESK2 2 switchpoints - supply 24 V DC
- ESK3 1 switchpoint - supply 230 V AC
conceived for safety-relevant applications
- EFFS switch output
- EFFI current output 4(0)..20mA
- EFFF frequency output



All technical changes reserved

●BASIC Standard ○BASIC Programme option □VARIO Special option ⊕ PLUS Accessories ✗not recommendable