

GENERAL CHARACTERISTICS

In a plastic enclosure a plastic turbine is arranged in sapphire cups and provides flow-dependent revolutions which are inductively detected by an externally arranged proximity sensor.

- * high accuracy
- * no magnetic components

Male thread G3/4A noryl



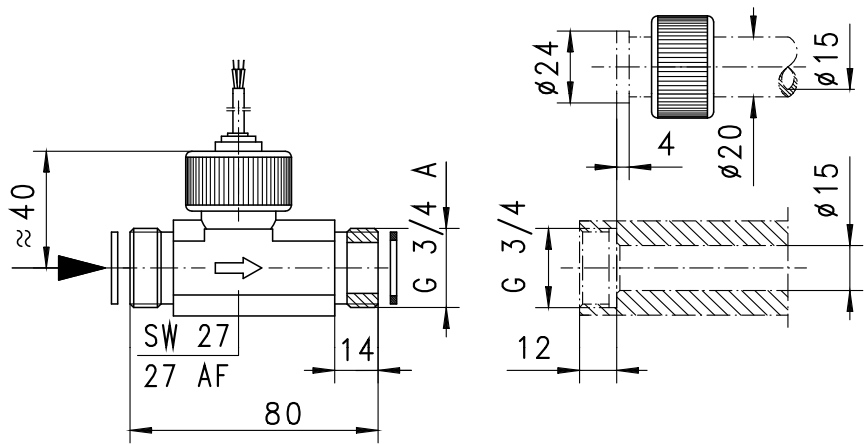
TTI-020AP040R

TECHNICAL DATA

	G	Type	PN bar (20°C)	Qmax. recom. l/min H ₂ O	metering range l/min H ₂ O	weight kg
Noryl	G 3/4 A	TTI-020AP040.	10	40	2 - 40	0.15

linearity	±0.5% of full scale
reproducibility	±0.1%
signal generation	from 0.3 l/min
resolution	0.6 ml/pulse 1795 pulse/litre
media temperature	max. 85°C
max. particle	0.5mm
pressure loss	0.2bar at 10l/min. 0.6bar at 20l/min. 1.2bar at 30l/min. 2.2bar at 40l/min.

Customer-related installation.
Capnet and seal belong to customer consignment.

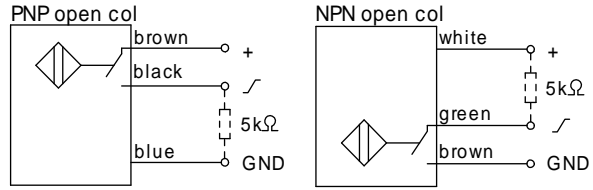


MATERIALS

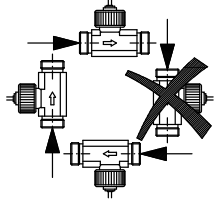
housing	PPO noryl GFN3
cabinet	PA
turbine	ULTEM PEI
pins	stainless steel
shaft	stainless steel
bearing	sapphire / hardferrite
seal	NBR

ELECTRICAL DATA

inductive proximity switch PNP open col or NPN open col
voltage 21...24 V DC
max. load 10 mA
cable 2 metre
protection class IP 65

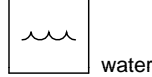


MOUNTING POSITION



10 x diam. as smoothing section on inlet and outlet

METERING SUBSTANCES



NOMENCLATURE

TTI-	020	A	P	040	R	basic type specification
	020					● nominal diameter DN 20 - G3/4A
		A				● male thread
			P			● noryl design
				040		● metering range 2 - 40 l/min
					R	● exit PNP OC
					M	● exit NPN OC
					E	● exit by front switch (e.g. omni-TTI)
Accessories PLUS					⊕	EX amplifier EEV1 product information 80.1.EEV1. counter EEZ904 product information 83.1.EEZ904.

COMBINATIONS

transformers

- omni local electronic unit, 2xNPN and PNP switch
4(0)..20mA output, with flashing LED, program ring
- Flex switching and frequency exit, 0..10V or 4..20mA, pnp, npn
- ESA1 electronic monitoring unit
- ESK2 2 switchpoints - supply 24 V DC
- ESK3 1 switchpoint - supply 230 V AC
conceived for safety-relevant applications
- EFFS switch output
- EFFI current output 4(0)..20mA
- EFFF frequency output



All technical changes reserved

●BASIC Standard ○BASIC Programme option □VARIO Special option ⊕ PLUS Accessories ✗not recommendable