

GENERAL CHARACTERISTICS

Mechanical Flow Indicator with sight glass for contaminated or coloured substances. Drip nose allows reliable flow indication even for low flow rates. Rugged design in brass.

- * no moving parts
- * for contaminated or coloured liquids
- * natural glass

Female thread G1/4 to G1/2 brass

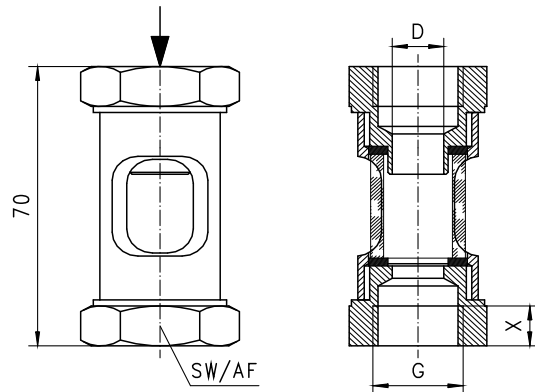


ON-015GM

TECHNICAL DATA

	G	Type	PN bar	Qmax. recom. l/min H ₂ O	D mm	AF mm	X mm	weight kg
brass	G 1/4	ON-008GM	6	15	5	19	11	0.08
	G 3/8	ON-010GM	6	20	8	27	11	0.16
	G 1/2	ON-015GM	6	40	12	32	10	0.20

media temperature max. 70°C

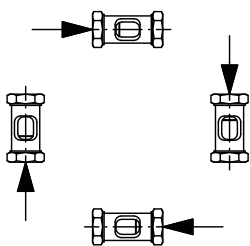


MATERIALS

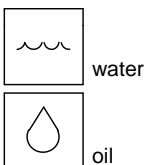
housing: stained brass
 tube: natural glass

MOUNTING POSITION

Operation of the drip nose with downward flow only.



METERING SUBSTANCES



NOMENCLATURE

ON-	008	G	M	basic type specification
	008			● nominal diameter DN 8 - G1/4
	010			● nominal diameter DN 10 - G3/8
	015			● nominal diameter DN 15 - G1/2
		G		● female thread
			M	● brass

All technical changes reserved

●BASIC Standard ○BASIC Programme option □VARIO Special option ⊕ PLUS Accessories ✗ not recommendable