

GENERAL CHARACTERISTICS

Mechanical Flow Indicator for liquids. A finger flap arranged in the flow chamber provides indication of the momentary flow rate. The partition into three finger elements makes a dynamic indication possible, as each light-weight finger-component reacts to the slightest change of flow characteristic. Rugged design in bronze or cast iron.

- * double-faced wide window
- * natural glass

Female thread G1/2 to G2 bronze/cast iron

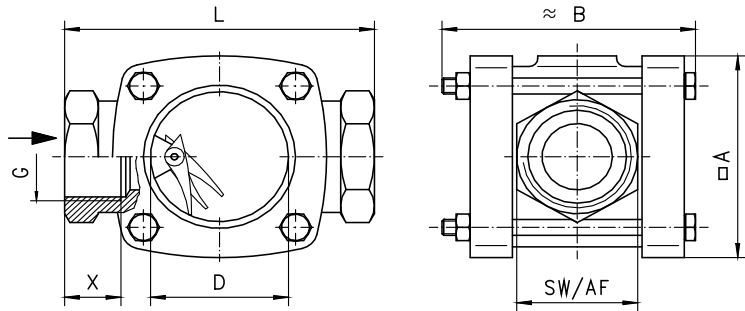


FK-020GR

TECHNICAL DATA

	G	Type	PN bar	Qmax. recom. l/min H ₂ O	L mm	A mm	B mm	D mm	X mm	AF mm	weight kg
bronze/cast iron	G 1/2	FK-015GR	16	25	90	60	74	40	14	36	0.85
	G 3/4	FK-020GR	16	40	90	60	74	40	14	36	0.80
	G 1	FK-025GR	16	60	110	76	95	49	18	43	1.60
	G 1 1/2	FK-040GR	16	120	130	90	116	60	20	61	3.00
	G 2	FK-050GR	16	250	170	114	138	80	25	74	5.90

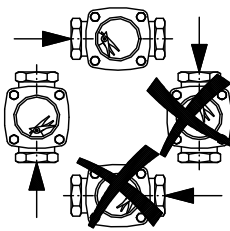
media temperature water max. 100°C
 oil max. 170°C
 average pressure loss 0.06bar at Qmax.



MATERIALS

body bronze / cast iron
 cover cast iron
 window hard glass
 seal flexicarb with metal enforcement
 body stainless steel 1.4436
 flap polysulfon

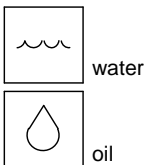
MOUNTING POSITION



NOMENCLATURE

FK-	015	G	R	nominal diameter	basic type specification
	015		●		●
	020		●	DN 20 - G3/4	
	025		●	DN 25 - G1	
	040		●	DN 40 - G1 1/2	
	050		●	DN 50 - G2	
		G	●		female thread
			R	●	bronze/cast iron

METERING SUBSTANCES



All technical changes reserved

●BASIC Standard ○BASIC Programme option □VARIO Special option ⊕ PLUS Accessories ✗ not recommendable