

**GENERAL CHARACTERISTICS**

Mechanical Flow Indicator for liquids. A solid stainless steel flap arranged in the wetted chamber is lifted by the incoming flow and indicates the actual flow rate on an external reading scale. Rugged design in bronze/brass combination.

- \* high temperature duty
- \* double-faced wide window
- \* natural glass

Female thread G1/2 bis G1 bronze



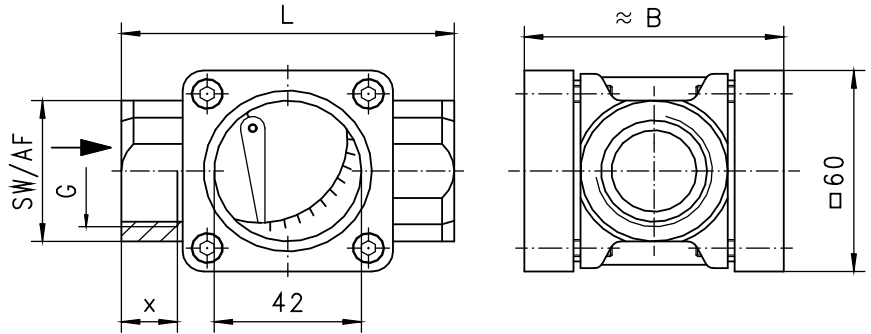
FQ-015GR017

**TECHNICAL DATA**

	G	Type	PN bar	indication range l/min H <sub>2</sub> O	Qmax. recom. l/min H <sub>2</sub> O	L mm	B mm	AF mm	X mm	weight kg
bronze	G 1/2	FQ-015GR017	16	2.1 - 17	25	85	68	36	14	1.20
	G 3/4	FQ-020GR020	16	2.1 - 20	45	85	68	36	14	1.10
	G 1	FQ-025GR024	16	2.1 - 24	65	95	74	42	16	1.25

Scale increments 1 to 10. Calibration see nomenclature.

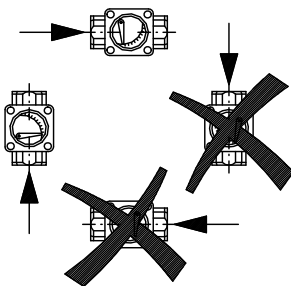
media temperature      water max. 100°C  
                                  oil max. 200°C  
average pressure loss    0.09bar at Qmax.



**MATERIALS**

body                      bronze  
ring                      brass  
window                 soda-lime-glass  
seal                      klingersil C4400  
bolt                      stainless steel 1.4305  
flap                      stainless steel 1.4310  
scale                     stainless steel 1.4310

**MOUNTING POSITION**

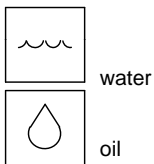


**NOMENCLATURE**

For combinations see table "technical data".

FQ-	015	G	R	017	basic type specification
	015				● nominal diameter DN 15 - G1/2
	020				● nominal diameter DN 20 - G3/4
	025				● nominal diameter DN 25 - G1
		G			● female thread
			R		● bronze
				017	● indication range 2.1- 17 l/min H <sub>2</sub> O
				020	● indication range 2.1- 20 l/min H <sub>2</sub> O
				024	● indication range 2.1- 24 l/min H <sub>2</sub> O

**METERING SUBSTANCES**



Scale increments 1 to 10. Indication value is indicated for horizontally increasing flow.

indication range l/min H <sub>2</sub> O	scale increments									
	1	2	3	4	5	6	7	8	9	10
2,1- 17	2.1	3.2	3.8	4.3	4.7	5.0	5.7	7.5	9.5	17
2,1- 20	2.1	3.2	4.5	5.2	5.6	6.3	7.5	8.9	11.6	20
2,1- 24	2.1	4.0	5.0	7.0	7.8	9.2	11.1	14.0	17.8	24

All technical changes reserved

●BASIC Standard    ○BASIC Programme option    □VARIO Special option    ⊕ PLUS Accessories    ✗ not recommendable