

GENERAL CHARACTERISTICS

Mechanical Flow Indicator for liquids. A solid stainless steel flap arranged in the wetted chamber is lifted by the incoming flow and indicates the actual flow rate on an internal reading scale. Rugged design in bronze/cast iron combination.

- * high temperature duty
- * double-faced wide window
- * dirt-resistant

Female thread G1/2 to G2 bronze/cast iron



SK-020GR025

TECHNICAL DATA

	G	Type	PN bar	indicating range l/min H ₂ O	Qmax. recom. l/min H ₂ O	L mm	A mm	B mm	D mm	AF mm	X mm	weight kg
bronze/cast iron	G 1/2	SK-015GR025	16	3 - 25	30	90	60	74	40	36	14	1.0
	G 3/4	SK-020GR025	16	3 - 25	40	90	60	74	40	36	14	1.0
	G 1	SK-025GR040	16	5 - 40	60	110	76	95	49	43	18	1.8
	G 1 1/2	SK-040GR076	16	10 - 76	120	130	90	116	60	61	20	3.4
	G 2	SK-050GR195	16	15 -195	250	170	114	138	80	74	25	5.9

Scale increments 1 - 10. Calibration see nomenclature.

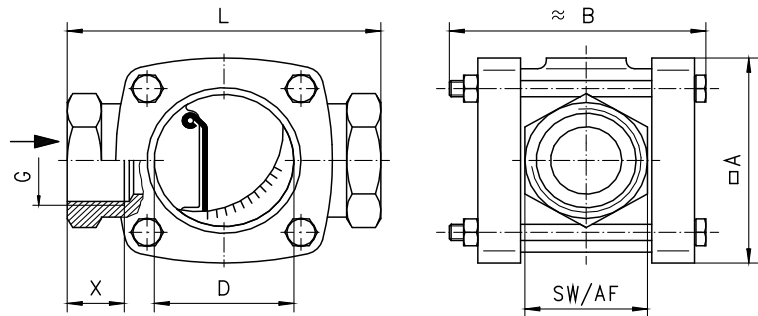
media temperature water max. 100°C

oil max. 170°C

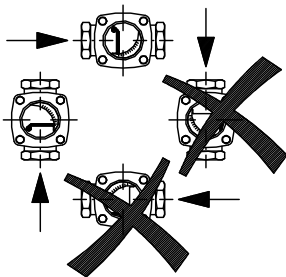
average pressure loss 0.07bar of full scale.

MATERIALS

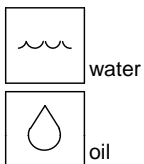
body	bronze / cast iron
cover	cast iron
window	crown hard glass
seal	flexicarb with metal enforcement
bolt	stainless steel 1.4436
flap	stainless steel 1.4436
scale	aluminium



MOUNTING POSITION



METERING SUBSTANCES



NOMENCLATURE

For combinations see table "technical data".

SK-	015	G	R	025	basic type specification
	015				● nominal diameter DN 15 - G1/2
	020				● DN 20 - G3/4
	025				● DN 25 - G1
	040				● DN 40 - G1 1/2
	050				● DN 50 - G2
		G			● female thread
			R		● bronze
				025	● indicating range 3 - 25 l/min H ₂ O
				040	● indicating range 5 - 40 l/min H ₂ O
				076	● indicating range 10 - 76 l/min H ₂ O
				195	● indicating range 15 - 195 l/min H ₂ O
Special option VARIO					□ stainless steel design
					flange connector in cast iron
					flange connector in stainless steel

Scale increments 1 to 10. Indication value is indicated for horizontally increasing flow.

indicating range l/min H ₂ O	scale increments									
	1	2	3	4	5	6	7	8	9	10
3- 25	3	4	5	7	8	9	10	14	20	25
5- 40	5	7	9	10	13	15	18	21	28	40
10- 76	10	14	19	22	27	30	36	44	63	76
15- 195	15	23	29	35	41	46	59	79	118	195

All technical changes reserved

- BASIC Standard ○BASIC Programme option □VARIO Special option ⊕ PLUS Accessories ✗not recommendable