

GENERAL CHARACTERISTICS

The EFKP/M... Flow Switch monitor liquid and gaseous media. In a compact design they combine the integral probe, an LED trend display (for FLOW) with two-colour status indicator and a switching point with PNP or NPN output, adjustable via a potentiometer. Optionally, an additional temperature limit can be set and monitored with a PNP or NPN output. Similarly, there is also the possibility of inserting a flexible swan-neck between the sensor probe and the electronics housing to provide the best angle for viewing the sensor display even at awkward mounting points.

- * both flow and temperature monitoring possible
- * no moving parts in the medium being monitored
- * mounting largely independent of pipe diameter

Male thread G1/4A bis G1/2A stainless steel



TECHNICAL DATA

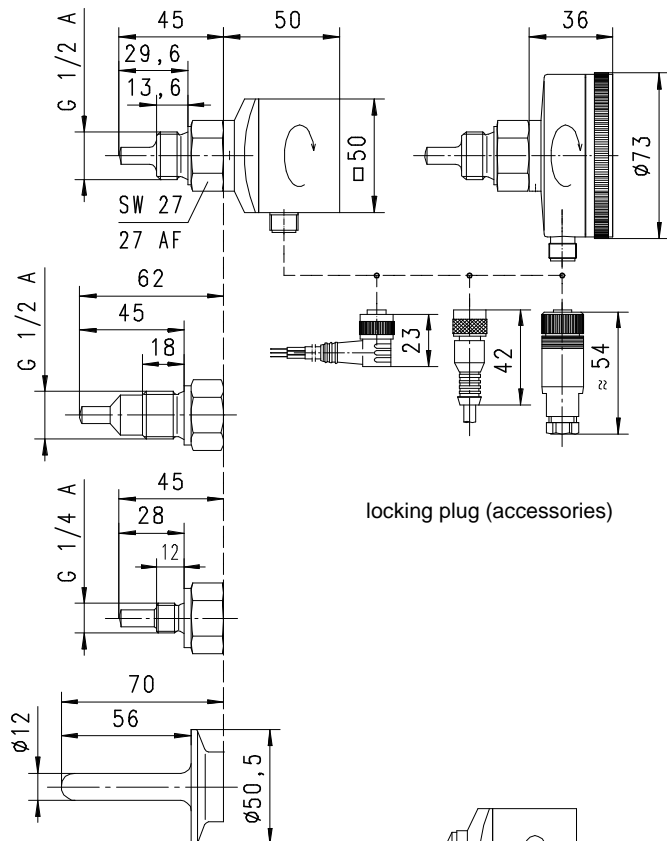
operating ranges	water 20-50 cm/s (1-150) oil (on request) standard values shown bold
operating pressure	max. 100 bar, option 200 bar foodstuffs sensor 60bar
operating temperature	15..70°C (other temperature on request)
temperature gradient	4°C/s
weight	0.35 kg (EFKP-015HK028PS) 0.60 kg (EFKM-015HK028PS)

MONTAGE

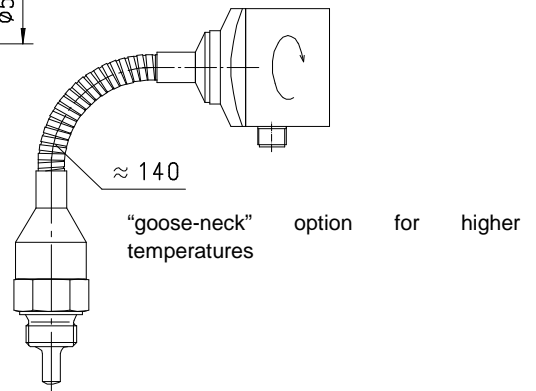
If you would like to exploit the highest possible sensor sensitivity (for particularly low flow rates or for use in gases), orientate the cross on hexagonal body of probe(liquids) or the red dot (gases) into a position against flow direction (flow meets cross or dot). See also the general description on calorimetric sensors.

Advantages EFKM:

- durable metal housing
- protection class IP 67
- transparent nature glass cover
- option opac metal covers



locking plug (accessories)



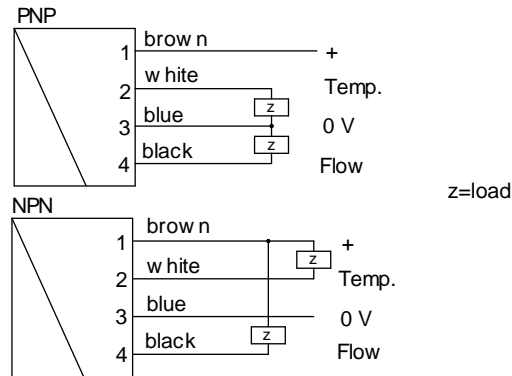
MATERIALS

medium contact	stainless steel 1.4571
other	brass nickel plated PA6.6 only EFKP

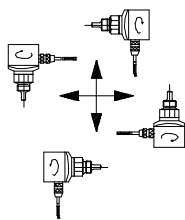
ELECTRICAL DATA

display	9 LED's (red = limit, green 1-8 = min.-max. flow)
setting potentiometer	single-threaded
supply voltage	24 V DC ±20%
current consumption	70mA
signal	PNP or NPN
load	200mA max.
connection	at locking plug M12x1, 4-pole
short-circuit proof	yes
reverse polarity proof	yes
protection class	EFKP IP 60, EFKM IP 67

temperature output only with EFKT



MOUNTING POSITION



METERING SUBSTANCES



NOMENCLATURE

EFKP-	015	H	K	029	P	S		basic type specification
EFKP-								● with plastic head
EFKPT-								● calorimetric
EFKM-								● Flow Switch
EFKMT-								● with plastic head and temperatur switch
	008							● with metal head
	015							● with metal head and temperatur switch
	038							● connection G1/4A
		H						● connection G1/2A
		L						○ connection footstuffs sensor ISO 2852 size 38
			K					● socket thread
				029				○ footstuffs sensor
				028				● stainless steel 1.4571
				045				● probe length 29.6mm
				056				○ probe length 28mm
					P			● probe length 45mm
					N			○ probe length 56mm
						S		● PNP output
							H	● NPN output
								● Locking plug KPU-02SG
								○ M12x1, 4-polr, cable 2 m, straight plug
								○ with goose-neck

ACCESSORY

Locking plug M12x1

K	PU-	02	S	G	basic type specification
K					● ready-made cable
KB04					● self makable cable 4-pole
	PU-				● material PUR
		02			● length 2 m
		05			● length 5 m
		10			● length 10 m
			S		● moulded-on plug
				G	● straight plug
				W	● angled plug 90°



All technical changes reserved

●BASIC Standard ○BASIC Programme option □VARIO Special option ⊕ PLUS Accessories ✗not recommendable