

GENERAL CHARACTERISTICS

The orifice moves against the force of a supporting spring in flow direction and reduces the free flow symmetry of the housing. By a variation of holes the maximal flow may be limited to a fixed rate.

- * metal design
- * optional installation
- * no additional power supply
- * switch head

Female thread G1/2 brass/stainless steel



KH-015GM006

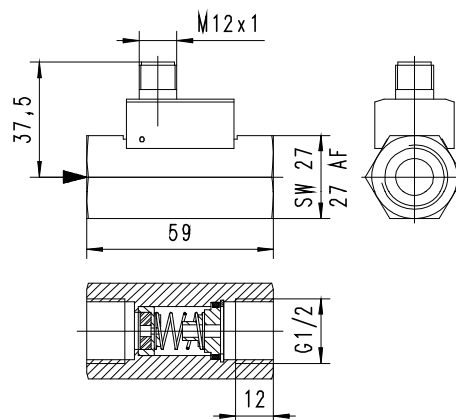
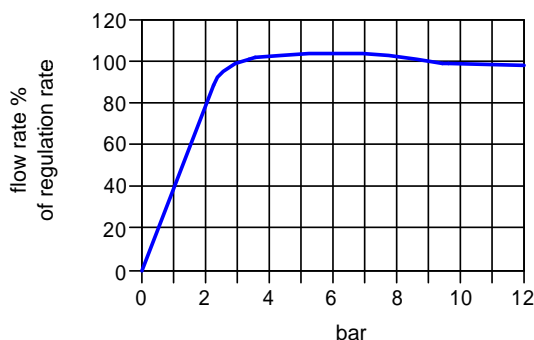
KHK-015GM006

TECHNICAL DATA

	G	Type	PN *	regulation rate	L	SW	weight
			bar	l/min H ₂ O	mm	mm	kg
Ms	G 1/2	KH.-015GM...	200	1,2,3,4,5,6,7,8,9,10,12,16,20,25,30	59	27	0.2
VA	G 1/2	KH.-015GK...	150	1,2,3,4,5,6,7,8,9,10,12,16,20,25,30	59	27	0.2

* Max. differential pressure 30 bar !

differential pressure 2.5 - 30 bar
tolerance ±15% minimum 1l/min
media temperature max. 120°C

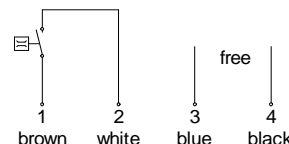


MATERIALS

	KH.-015GM...	KH.-015GK...
body	brass Ms58	s.s. 1.4305
orifice	brass Ms58	s.s. 1.4305
magnet	bariumferrite	bariumferrite
spring	s.s. 1.4310	s.s. 1.4310
snap ring	copper	s.s. 1.4310
seal	NBR	viton
switch head	POM	POM

ELECTRICAL DATA

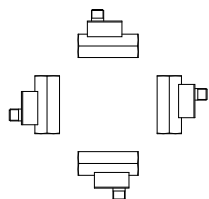
reed switch - wiring 0.378 n.o.
300 V AC 0.5 A 10 VA
Signal is activated by approx.30% of nominal flow rate
connection for locking plug M12x1, 4-pole protection class IP 65



NOMENCLATURE

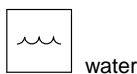
KHK-	015	G	M	001	basic type specification
KH-					● flow regulator
KHK-					● flow regulator with switch head
	015				● nominal diameter DN 15 - G1/2
		G			● female thread
			M		● brass design
			K		○ stainless steel design
				001	● regulation rate 001 - 030 l/min H ₂ O
				...	● see table
				030	●
Sonderoption VARIO					☐ special ranges entrance/male thread special thread

MOUNTING POSITION



Installation position may influence regulate rate.

METERING SUBSTANCES



water

All technical changes reserved

●BASIC Standard ○BASIC Programme option ☐VARIO Special option ⊕ PLUS Accessories ✗not recommendable