

GENERAL CHARACTERISTICS

Mechanical Flow Regulator. The regulator consists of a star shaped stainless steel diaphragm which is pressed into a metal funnel component according to flow-proportional differential pressure.

- * optional installation
- * no wear-parts
- * no additional power supply

Female thread G3/4 to G1 brass



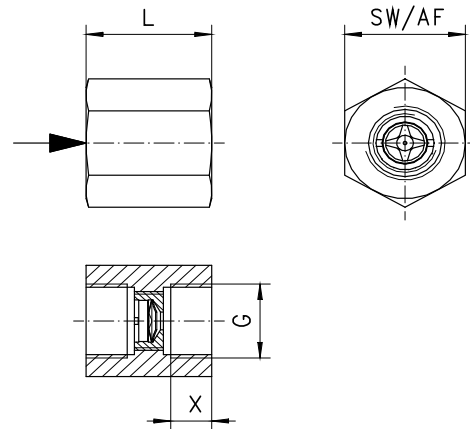
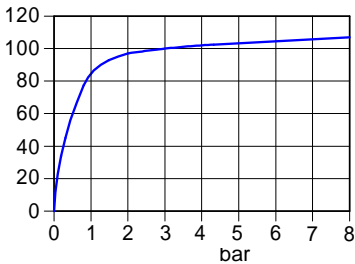
WM-025GM006

TECHNICAL DATA

	G	Type	PN * bar	regulation rate l/min H ₂ O	L mm	AF mm	X mm	weight kg
brass	G 3/4	WM-020GM	200	6,8,12,15	50	36	17	0.13
	G 1	WM-025GM	200	6,8,12,15	52	50	17	0.70

* Max. differential pressure 16 bar !

differential pressure 2 - 10 bar
tolerance ±15%
media temperature max. 200°C



For combinations see table "technical data"

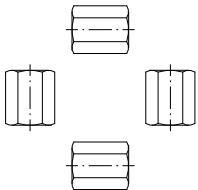
MATERIALS

body brass
insert stainless steel
retaining ring stainless steel

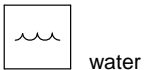
NOMENCLATURE

WM-	020	G	M	006	basic type
	020				● nominal diameter DN 20 - G3/4
	025				● nominal diameter DN 25 - G1
		G			● female thread
			M		● brass design
				006	● regulation rate H ₂ O 6 l/min
				008	● 8 l/min
				012	● 12 l/min
				015	● 15 l/min
Special option					□ special ranges
VARIO					□ entrance/female thread
					□ exit/male thread

MOUNTING POSITION



METERING SUBSTANCES



IMPORTANT FOR YOUR ORDER

- Please indicate metering substance and regulation quantity with your order.
- With viscous liquids indicate viscosity, temperature and metering substance (e.g. ISO VG68) (regulation rate on request)

All technical changes reserved

●BASIC Standard ○BASIC Programme option □VARIO Special option ⊕ PLUS Accessories ✗not recommendable