

**GENERAL CHARACTERISTICS**

Mechanical Flow Regulator for liquids. The regulation is provided by a modification of the flow symmetry during a restriction of the free rubber chord diameter of the regulator element.

- \* optional installation
- \* no wear-parts
- \* no additional power supply

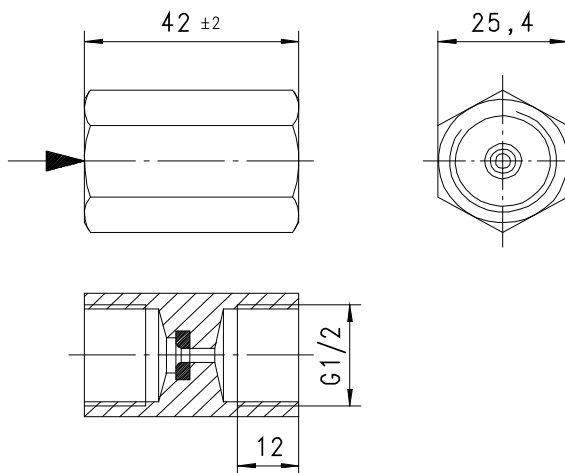
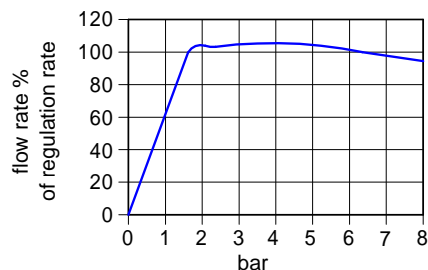
Female thread G1/2 brass



**WP-015GM050**

**TECHNICAL DATA**

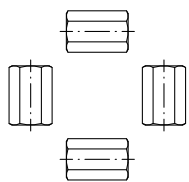
regulation rate	0.5 ; 1 ; 1.5 ; 2 ; 3,2 ; 4 ; 5 ; 7 ; 8 ; 10 ; 12 ; 15 ; 18 ; 20 l/min
system pressure	PN 16 bar
differential pressure	1 - 10 bar
tolerance	±10%
media temperature	max. 70°C
storage temperature	-25 to 100°C
weight	0.2 kg



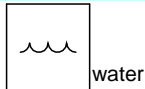
**MATERIALS**

body	brass
insert	NBR

**MOUNTING POSITION**



**METERING SUBSTANCES**



**NOMENCLATURE**

WP-	015	G	M	005	basic type specification	
	015			●	nominal diameter DN 15 - G1/2	
		G		●	female thread	
			M	●	brass design	
			K	□	stainless steel design	
				005	●	0.5 l/min
				010	●	1.0 l/min
				015	●	1.5 l/min
				020	●	2 l/min
				032	●	3.2 l/min
				040	●	4 l/min
				050	●	5 l/min
				070	●	7 l/min
				080	●	8 l/min
				100	●	10 l/min
				120	●	12 l/min
				150	●	15 l/min
				180	●	18 l/min
				200	●	20 l/min

**IMPORTANT FOR YOUR ORDER**

- Please indicate metering substance and regulation quantity with your order.

All technical changes reserved

●BASIC Standard ○BASIC Programme option □VARIO Special option ⊕ PLUS Accessories ✗not recommendable