

GENERAL CHARACTERISTICS

Mechanical Flow Regulator for liquids. The regulation is provided by a modification of the flow symmetry during a restriction of the free rubber chord diameter of the regulator element.

- * optional installation
- * no wear parts
- * no additional power supply

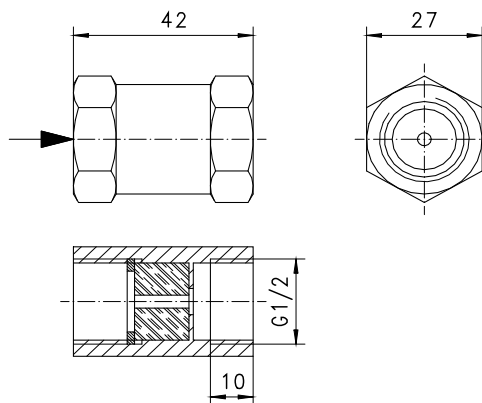
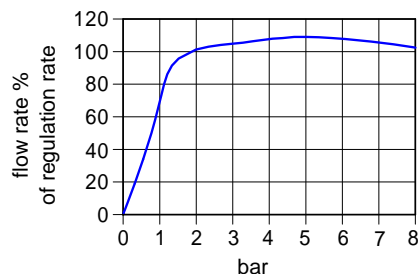
Female thread G1/2 brass



WT-015GM050

TECHNICAL DATA

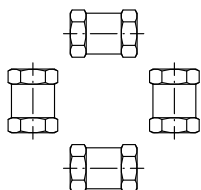
regulation rate 5 ; 7.5 ; 13.5 l/min
 system pressure PN 100 bar
 differential pressure 1.5 - 8 bar
 tolerance ±15%
 media temperature max. 100°C
 weight 0.2 kg



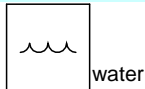
MATERIALS

body brass Ms58 nickel plated
 insert perbunan

MOUNTING POSITION



METERING SUBSTANCES



NOMENCLATURE

WT-	015	G	M	050	basic type specification
	015				● nominal diameter DN 15 - G1/2
		G			● female thread
			M		● brass design
				050	● regulation rate 5.0 l/min H ₂ O
				075	● regulation rate 7.5 l/min H ₂ O
				135	● regulation rate 13.5 l/min H ₂ O

IMPORTANT FOR YOUR ORDER

- Please indicate metering substance and regulation quantity with your order.
- With viscous liquids indicate viscosity, temperature and metering substance (e.g. ISO VG68) (regulation rate on request)

All technical changes reserved

●BASIC Standard ○BASIC Programme option □VARIO Special option ⊕ PLUS Accessories ✗not recommendable