

GENERAL CHARACTERISTICS

The flow control by ultrasonic technology refers to the impact of flow velocity to the ultrasonic signals. The signal is emitted and received by a separate sensor element with a delay which is directly depending on the flow velocity.

- * digital display
- * 2 set points
- * analog output

Male thread G3/4A to G1A brass

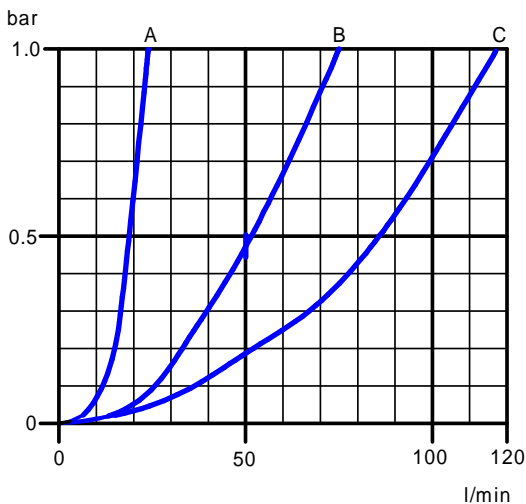


TECHNICAL DATA

	G	Type	PN bar	Qmax.recom. l/min H ₂ O	range l/min H ₂ O	pressure loss Code	L mm	weight kg
brass	G 3/4A	ST-020AM010S	25	20	0.04 - 10	A	110	0.85
	G 3/4A	ST-020AM025S	25	50	0.10 - 25	B	110	0.85
	G 1A	ST-025AM040S	25	80	0.16 - 40	C	190	1.20

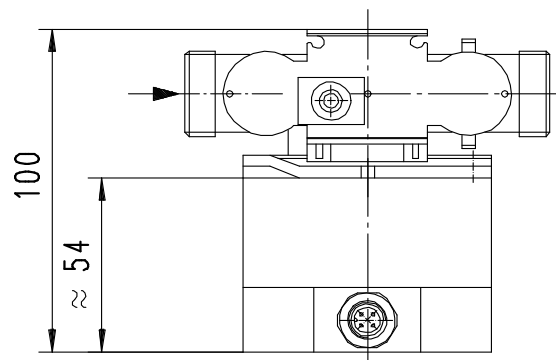
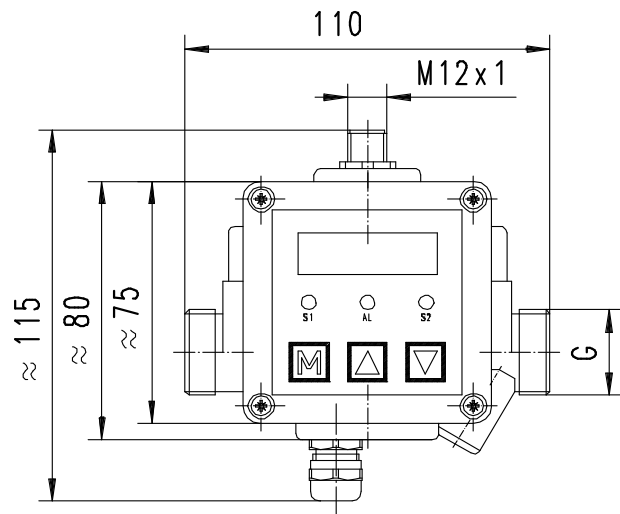
temperature range +4..70 °C
(medium enclosure separate from sensor) +4..130 °C
linearity error ±2.5% f.s. 25 °C
temperature coeff. ±0.2% f.s. / 10 K
repeatability ±0.1% f.s.

PRESSURE LOSS



MATERIALS

wetted parts brass, pressed
housing aluminum die-cast
seals klingersil

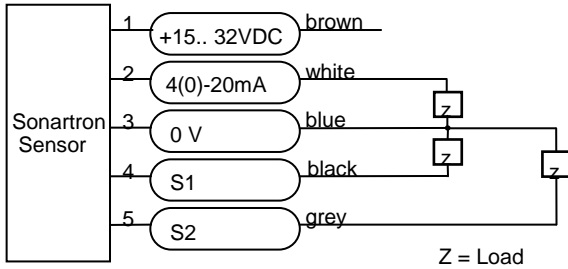


ELECTRICAL DATA

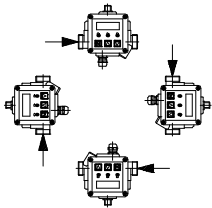
digital display 4-digit 7-segment LED-display
height 12 mm, red
error display LED yellow
and alphanumeric display
display rate 500 ms
operating elements 3 easy response pushbuttons
power supply 15..32 VDC
reversed polarity protected
power consumption appr. 50 mA (without load)
connection for locking plug M12x1, 5pol
protection class IP 65

Analog output
scanning rate 500 ms
resolution 10 Bit (1024 steps per measuring span)
current output 4..20 mA
load max. RI = (Ub-12 V) / 20 mA
RI=600 Ohm at Ub = 24 V DC
load influence 0.3% / 100 Ohm

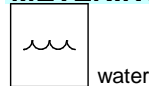
Switching output
switching function n.o. / n.c. adjustable
standard-/window-mode
adjustment range 0..125%
hysteresis 0..125%
switching frequency max 100 Hz - max. 500 mA short circuit-proof
delay 0.0 .. 9.9 s - adjustable
status display(s) LED(s) green



MOUNTING POSITION



METERING SUBSTANCES



NOMENCLATURE

For combinations see table "technical data".

ST-	020	A	M	010	S	basic type specification
	020					● connection G3/4A
	025					● connection G1A
		A				● male thread
			M			● brass
				010		● range 0.04 - 10 l/min H ₂ O
				025		● range 0.10 - 25 l/min H ₂ O
				040		● range 0.16 - 40 l/min H ₂ O
					S	● connection at locking plugs M12x1, 4-pole

ACCESSORY

Locking plug M12x1

K05	PU-	02	S	G	basic type specification
K05					● ready-made cable 5-pole
KB05					● connector without cable 5p.
	PU-				● material PUR
		02			● length 2 m
		05			● length 5 m
		10			● length 10 m
			S		● shielding connected
			N		○ shielding not connected
				G	● straight plug
				W	● angled plug 90°



All technical changes reserved

●BASIC Standard ○BASIC Programme option □VARIO Special option ⊕ PLUS Accessories ✗not recommendable