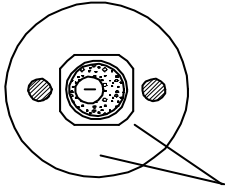


**GENERAL CHARACTERISTICS**

A magnet equipped float activates a reed chain inside a tube which is connected to resistors comparable to a potentiometer. The gapless positioning of the sensors provides a continuous signal with good resolution and repeatability.

- \* top assembly
- \* selectable material combinations



punctual guidance of the plastic float support reliable operation even with contaminated liquids

Male thread G1A to G2A brass/stainless steel



**LC-S45HM0250**

**LC-K52HK0250**

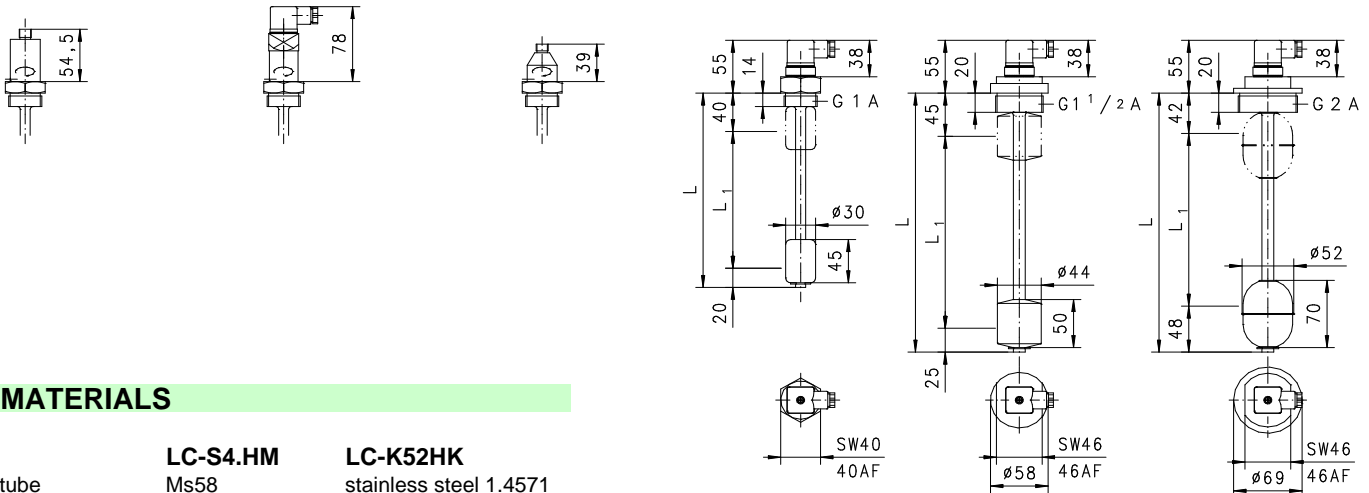
**TECHNICAL DATA**

	G	Type	PN bar	liquid density g/cm³	reso- lution mm	resistor Ohm *	tolerance Ohm at max	L mm	L1 mm	weight kg
brass	G1 A	LC-S45HM0250	20	≥0.34	10	0 - 1800	±136	250	190	0.5
		LC-S45HM0500	20	≥0.34	10	0 - 4300	±186	500	440	0.6
		LC-S45HM0750	20	≥0.34	10	0 - 1503	± 52	750	690	0.6
		LC-S45HM1000	20	≥0.34	10	0 - 2055	± 64	1000	940	0.7
	G1 1/2 A	LC-S44HM1000	20	≥0.44	20	0 - 2295	± 95	1000	930	0.7
		LC-S44HM1500	20	≥0.44	20	0 - 3543	±121	1500	1430	0.8
		LC-S44HM2000	20	≥0.44	20	0 - 4790	±146	2000	1930	0.8
stainless steel	G2 A	LC-K52HK0250	40	≥0.66	10	0 - 1500	±130	250	160	1.0
		LC-K52HK0500	40	≥0.66	20	0 - 4000	±280	500	510	1.0
		LC-K52HK0750	40	≥0.66	20	0 - 1647	± 83	750	690	1.0
		LC-K52HK1000	40	≥0.66	20	0 - 2246	± 94	1000	910	1.1
		LC-K52HK1500	40	≥0.66	20	0 - 3493	±120	1500	1410	1.1
		LC-K52HK2000	40	≥0.66	20	0 - 4741	±144	2000	1910	1.1

\* +1000 Ohm series resistance

length tolerance ±5mm  
media temperature max. 105°C resistance output max. 85°C 4..20mA, 0..10V

option	option	option	standard
4..20mA , 0..10V locking plug	4..20mA , 0..10V plug DIN 43650-A	resistor locking plug	resistor plug DIN 43650-A



**MATERIALS**

	<b>LC-S4.HM</b>	<b>LC-K52HK</b>
tube	Ms58	stainless steel 1.4571
float	Spansil	stainless steel 1.4571
housing	Ms58	stainless steel 1.4571

LC-S45

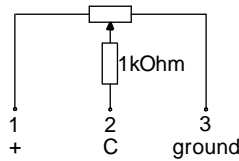
LC-S44

LC-K52

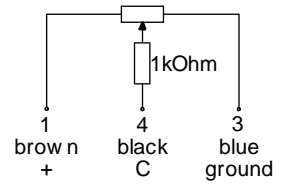
**ELECTRICAL DATA**

24 V DC 50 mA  
resistance value see table 'technical data'  
potentiometer resistance 500-2000Ω  
protection class IP 65

plug DIN 43650-A



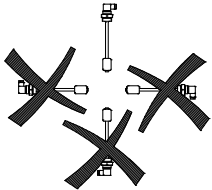
locking plug M12x1 - 4pole



option:

	4..20mA 2-wire		4..20mA 3-wire			0..10V		
	+(10-30VDC)	output	+(10-30VDC)	output	0V	+(10-30VDC)	output	0VDC
plug DIN 43650-A	1	2	1	2	3	1	2	3
locking plug	1	2	1	4	3	1	4	3
cable	brown	black	brown	black	blue	brown	black	blue

**MOUNTING POSITION**



**METERING SUBSTANCES**



water

oil



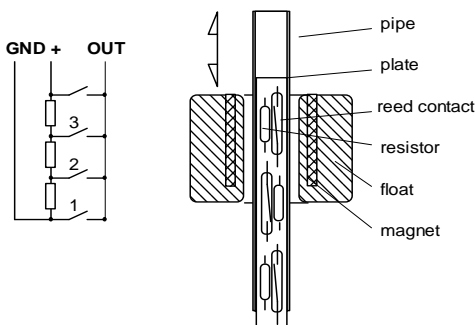
design stainless steel  
for aggressive liquids

**NOMENCLATURE**

For combination see table "technical data"

LC-	S45HM	0250	W	B	basic type specification
	S45HM				● socket thread G1 A brass - float Spansil
	S44HM				● socket thread G1 1/2 A brass - float Spansil
	K52HK				● socket thread G2 A stainless steel
		0250			● tube length L= 250mm
		0500			● tube length L= 500mm
		0750			● tube length L= 750mm
		1000			● tube length L= 1000mm
		1500			● tube length L= 1500mm
		2000			● tube length L= 2000mm
			W		● resistor
			Z		○ 4..20mA output (2-wire)
			T		○ 4..20mA output (3-wire)
			V		○ 0..10V output
				B	● plug DIN 43650-A
				S	○ connection for locking plug M12x1 4-pole
Special option VARIO					○ special tube length temperature 120°C

**PRINCIPLE**



Switching sequence:  
reed 1 switches  
reed 1+2 switches  
reed 2 switches  
reed 2+3 switches

**COMBINATIONS**

**omni-LC**  
local electronic unit,  
2xNPN and PNP switch  
4(0)..20mA output  
graphical LCD display  
with flashing LED  
program ring

**Flex-LC**  
switch- or frequency output  
0..10V oder 4..20mA  
PNP, NPN



All technical changes reserved

●BASIC Standard ○BASIC Programme option □VARIO Special option ⊕ PLUS Accessories ✗not recommendable