

GENERAL CHARACTERISTICS

Mechanical Level Switch for liquids in full metal design. A magnet-equipped float triggers adjustable reed switches.

Male thread G2A stainless steel
 Flange Ø120 aluminium

- * top assembly
- * adjustable switch value in 10mm increments
- * up to 4 separate contacts

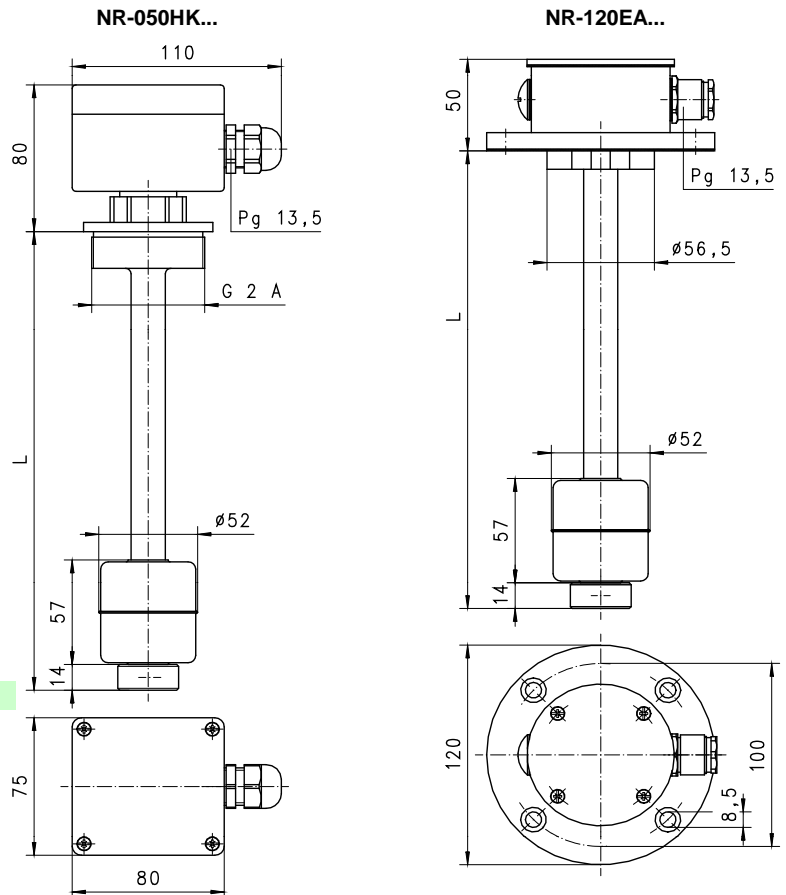


TECHNICAL DATA

NR-120EA1000

	G	Type	liquid density g/cm ³	PN bar	max. number of switch contacts (to order separately)	L mm	weight kg
stainless steel	G2A	NR-050HK0250	≥0.8	15	2	250	1.3
		NR-050HK0500	≥0.8	15	3	500	1.4
		NR-050HK0750	≥0.8	15	4	750	1.6
		NR-050HK1000	≥0.8	15	4	1000	1.7
aluminium	flange	NR-120EA0250	≥0.8	15	2	250	1.0
		NR-120EA0500	≥0.8	15	3	500	1.1
		NR-120EA0750	≥0.8	15	4	750	1.3
		NR-120EA1000	≥0.8	15	4	1000	1.4

media temperature max. 100°C



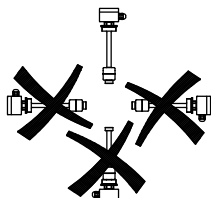
MATERIALS

	NR-050HK	NR-120EA
tube	s.s. 1.4571	brass
flange	-	aluminium
float	s.s. 1.4571	s.s. 1.4571
housing	aluminium	aluminium

ELECTRICAL DATA

See switch module.

MOUNTING POSITION



METERING SUBSTANCES



water



oil



design stainless steel NR-050HK
 for aggressive liquids

NOMENCLATURE

NR-	050HK	0250		basic type
	050HK			specification
	120EA			● socket thread G2A stainless steel
		0250		● flange Ø120 aluminium
		0500		● tube length L= 250mm
		0750		● tube length L= 500mm
		1000		● tube length L= 750mm
			R	○ protection tube aluminium (flange design only)
Special option				○ special tube length up to 2500mm
VARIO				○ combination flange and tube stainless steel

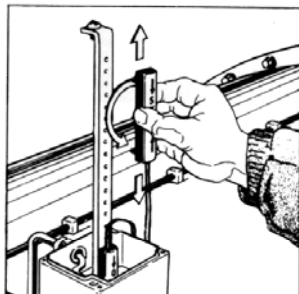
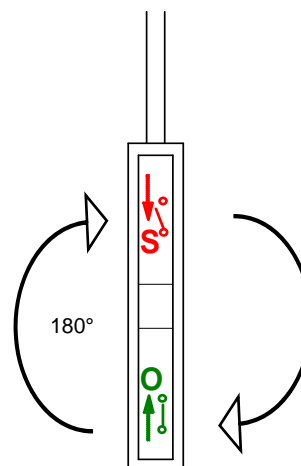
SWITCH MODULE

⊕ NR-000

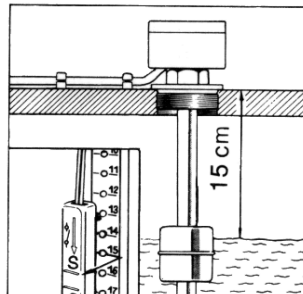
Switch modules to order separately.
 Depending on tube length up to 4 contacts per instrument,
 see table "technical data"

reed switch
 wiring 0.225 n.o. or n.c.
 cable gland Pg13,5
 250 V AC , 1 A , 250 VA
 protection class IP 65

The switch modules can be operated as n.o. or n.c. by a
 turn of 180°. Minimal distance 80mm between moduls.



Pull installation rail out of the tube,
 position switch module into the
 rail holes and connect electrical
 connector in switch head



The markings on the rail allow
 a precise positioning of the
 switch module.

All technical changes reserved

●BASIC Standard ○BASIC Programme option □VARIO Special option ⊕ PLUS Accessories ✗not recommendable