

GENERAL CHARACTERISTICS

Mechanical Level Switch for liquids with magnetic triggering of an adjustable rees switch.

- * high switch capability
- * wall mounting
- * reliable
- * good repeatability

Male thread G3/4A brass/stainless steel



TECHNICAL DATA

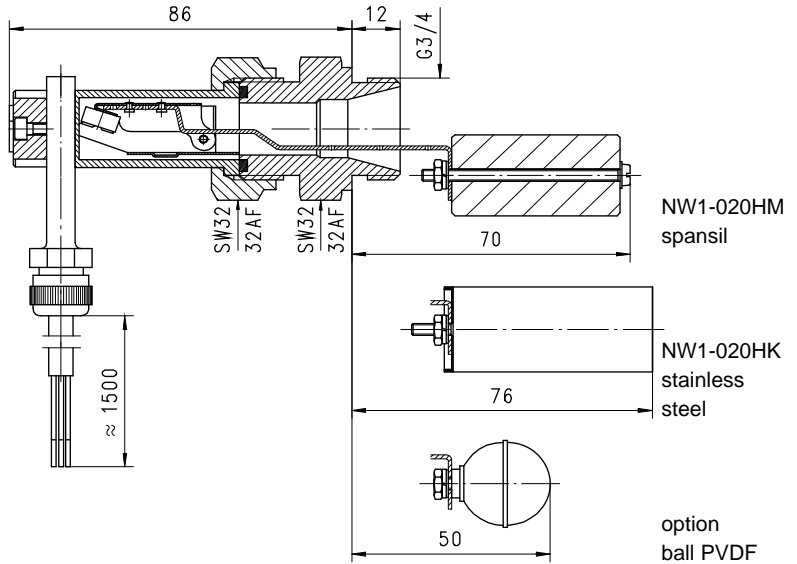
NW1-020HM

	G	Type	liquid density g/cm ³	PN bar	L mm	weight kg
brass	G 3/4 A	NW1-020HM	≥0.7	25	74	0.35
stainless steel	G 3/4 A	NW1-020HK	≥0.9	10	80	0.35

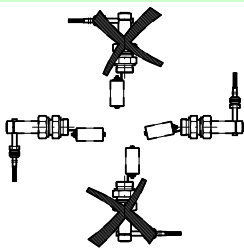
media temperature max. 110°C

MATERIALS

	NW1-020HM	NW1-020HK
housing	Ms58	stainless steel 1.4305
socket	Ms58	stainless steel 1.4571
wetted parts	stainless steel 1.4310 ; 1.4571	stainless steel 1.4310 ; 1.4571
float	spansil	stainless steel 1.4571
magnet	oxyd 300	oxyd 300
seal	NBR	viton



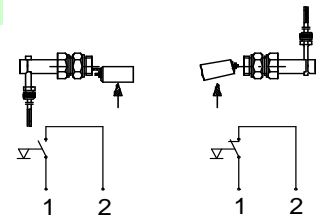
INSTALLATION POSITION



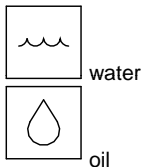
Installation position may influence operation!

ELECTRICAL DATA

reed switch
wiring 0.225 n.c. or n.o. depending on installation position
230 V AC 1 A 50 VA
cable 1.5m
protection class IP 65



METERING SUBSTANCES



design stainless steel
NW1-020HK
for aggressive liquids

NOMENCLATURE

MW1-	020	H	M	Beispiel
		H		● socket thread G3/4A
		M		● brass design
		K		● stainless steel design
Programme option				A ○ ● switch ATEX (product information 92.1.U1)
BASIC				
Special option				□ ● special cable length
VARIO				□ ● float ball PVDF

All technical changes reserved

●BASIC Standard ○BASIC Programme option □VARIO Special option ⊕ PLUS Accessories ✗not recommendable